



PURCHASING SECTION
13450 – 104 Avenue, Surrey, B.C. V3T 1V8
Tel: 604-590-7274
E-mail: purchasing@surrey.ca
ADDENDUM No. 3

REQUEST FOR QUOTATIONS (RFQ) NO.: 1220-040-2016-026

TITLE: GUILDFORD RECREATION CENTRE
WASHROOMS & CHANGEROOMS RENOVATION

ADDENDUM ISSUE DATE: SEPTEMBER 9, 2016

REVISED CLOSING DATE: PREFER TO RECEIVE QUOTATIONS ON OR
BEFORE **SEPTEMBER 14, 2016.**

INFORMATION FOR CONTRACTORS

Contractors are advised that Addendum No. 3 to the above referenced Request for Quotations is hereby issued by the City. This addendum shall form part of the Contract Documents and is to be read, interpreted and coordinated with all other parts. The following information is provided to answer questions raised by a Contractor for the above named project, to the extent referenced and shall become a part thereof. No consideration will be allowed for extras due to the Contractor or any sub-contractor not being familiar with this addendum. This Addendum No. 3 contains two (2) pages plus attachments for a total of six (6) pages.

QUESTIONS AND ANSWERS:

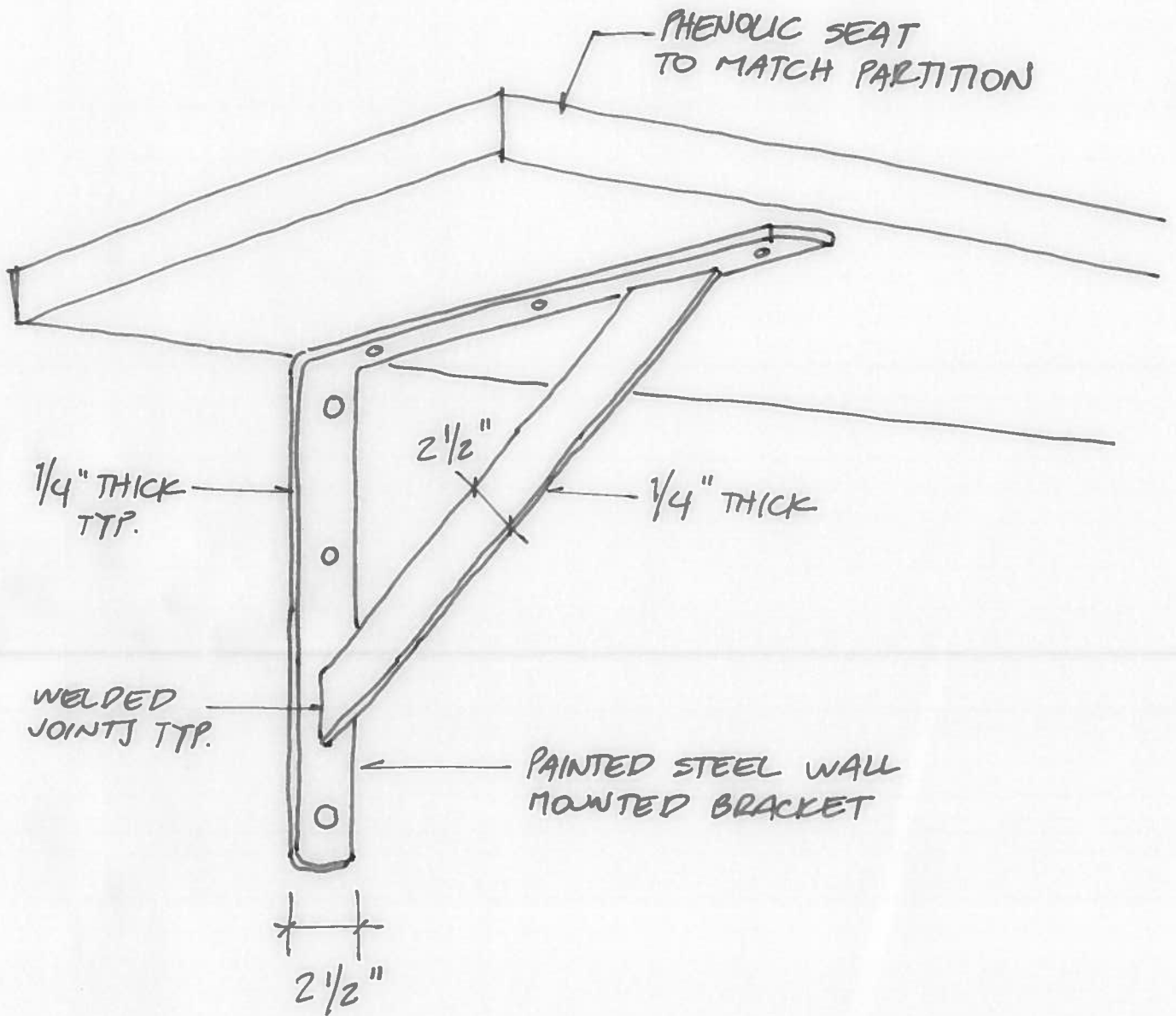
- Q1. Drawings show Paper Towel Dispensers, Toilet Paper Dispensers and Soap Dispensers. They are not in the specs. I assume they will be supplied by the Owner? Please advise.
- A1. These are owner supplied items. Refer to Construction Note 5 in drawing A-1.**
- Q2. Change room / cubicles plans show seats. Only folding seats for the accessible bathrooms are specified. There is no specs for the rest. Do you need those? If yes, please let me know what are the specs.
- A2. There is no specification for seats and benches. Phenolic seat surface (to match partition) on painted steel wall mounted brackets. See attached.**

Q3. Accessible shower and change room / cubicles plans show L-shape two wall shower grab bar. Not reflected in the specs. Please advise.

A3. See attached.

END OF ADDENDUM

All Addenda will become part of the RFQ Documents.



WASHROOM ACCESSORIES

- [Bathroom Accessories](#)
- [Combination Towel/Waste Units](#)
- [Counter-Mounted Soap Dispensers](#)
- [Cubicle Collection](#)
- [Grab Bars](#)
- [Healthcare Accessories](#)
- [Hooks/Shelves/Custodial Accessories](#)
- [Koala Kare Child Care Products](#)
- [Mirrors](#)
- [Paper Towel Dispensers](#)
- [Sanitary Napkin Disposals](#)
- [Sanitary Napkin/Tampon Vendors](#)
- [Shower/Tub Accessories](#)
- [Soap Dispensers](#)
- [SureFlo® Soap Dispensing System](#)
- [Toilet Compartment Accessories](#)
- [Toilet Seat Cover Dispensers](#)
- [Toilet Tissue Dispensers](#)
- [Warm Air Hand Dryers](#)
- [Waste Receptacles](#)
- [Waterfree Cartridges](#)

Quick Ship

Washroom Accessory
2-day Program

Distributors

For the fastest, most accurate service, please use the iBob Order Entry System

Healthcare

Discover Bobrick, the leader in healthcare products.

B-5837.99

1-1/4" Diameter Two-Wall Tub/Shower Toilet Compartment Grab Bar, Peened



DESCRIPTION

36" W x 54" D (91 x 137cm), 1-1/4" (32mm) dia., peened finish. Constructed of 18-gauge (1.2mm), type 304 satin-finish stainless steel tubing. Concealed mounting flange 1/8" (3mm) thick, type 304 stainless steel plate, 2" W x 3 1/8" H (50 x 80mm), with screw holes for concealed anchors. Cover is 22-gauge (0.8mm), type 304 stainless steel with satin finish, 3 1/4" (85mm) diameter. Cover snaps over mounting flange to conceal screws.

[ADD TO PROJECT SUBMITTAL BUILDER](#)

[ADD TO PROJECT SPEC COMPILER](#)

SPEC DOWNLOADS

- [BIM Object](#)
- [CAD Drawings](#)
- [Care and Maintenance](#)
- [Country of Origin](#)
- [Guide Specification](#)
- [LEED Contribution](#)
- [Product Warranty](#)
- [Technical Data Sheet](#)

ACCESSORIES

[251-4 WingIt™ Grab Bar Fastener](#)
for 2 1/2" and 3 1/2" (65 and 90mm) or deeper hollow walls with finished wall surfaces 1/4" to 1 1/2" (6 to 38mm) thick. Corrosion resistant stainless steel. One required for each flange. Fastener will support 300 lbs (136 kg) load. WingIt™ is a trademark of WingIt innovations, LLC.

[252-30 Optional Mounting Kit](#)
Mounting Kit - 3 Round-Head Sheet-Metal Screws - One Required for Each Flange

[2583 Optional Anchor Device](#)
Anchor for Installation of Individual Grab Bar Through 3/4" to 1" Thick Toilet Compartment Panel - One Required for Each Flange

[2586 Optional Anchor Device](#)
Anchor for Installation of Individual Grab Bar Through 1/2" Thick Toilet Compartment Panel - One Required for Each Flange

RELATED PRODUCTS

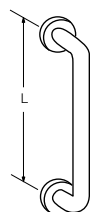
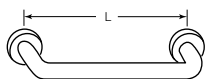
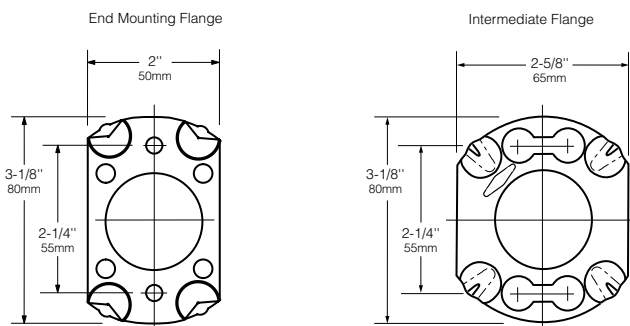
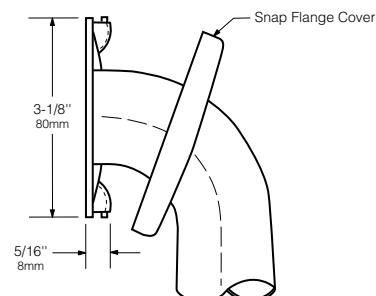
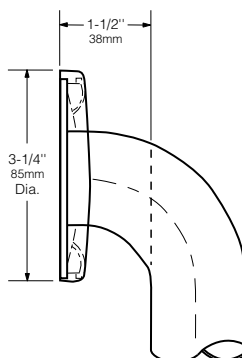
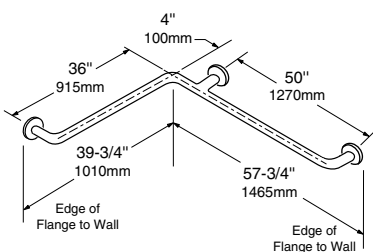
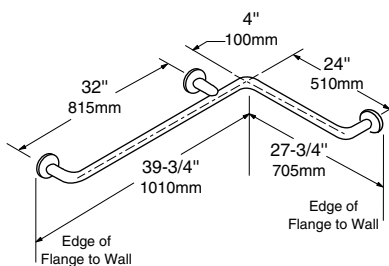
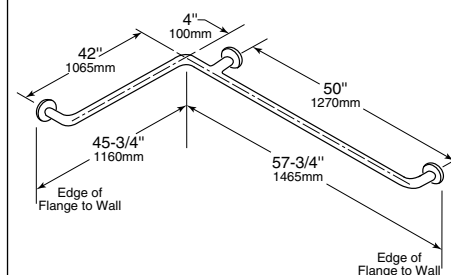
B-5837
1-1/4" Diameter Two-Wall Tub/Shower Toilet

B-58616.99
1-1/4" Diameter Two-Wall Tub/Shower Toilet

B-5897.99
1-1/4" Diameter Two-Wall Toilet Grab Bar, Peened

BOBRICK**Technical Data****1 1/4" (32mm) DIAMETER
STAINLESS STEEL GRAB BARS
WITH SNAP FLANGE****B-5806
SERIES**

Specify Finish Required: Satin finish
 Satin finish with peened gripping surface; add suffix .99 to model number

**HORIZONTAL****VERTICAL****B-5806 x 18, 24, 30, 36, 42, 48****TWO-WALL
TUB / SHOWER / TOILET
COMPARTMENT BAR****B-5837****HORIZONTAL
TUB / SHOWER / TOILET
COMPARTMENT BAR 24 x 36****B-58616****TWO-WALL
TOILET COMPARTMENT BAR 42 x 54****B-5897**

continued ...

MATERIALS:

Grab Bar — 18-8, type-304, 18-gauge (1.2mm) stainless steel tubing with satin-finish. 1-1/4" (32mm) outside diameter. Ends are heliarc welded to concealed mounting flanges. Clearance between the grab bar and wall is 1-1/2" (38mm).

Concealed Mounting Flanges — 18-8, type-304, 11-gauge (3.2mm) thick, stainless steel plate; end flanges 2" x 3-1/8" (50 x 80mm) with holes for attachment to wall. Intermediate flanges 2-5/8" x 3-1/8" (65 x 80mm) wide x 3-1/8" (80mm) diameter.

Snap Flange Covers — 18-8, type-304, 22-gauge (0.8mm) drawn stainless steel with satin-finish. 3-1/4" (85mm) diameter x 5/8" (16mm) deep. Each cover snaps over mounting flange to conceal mounting screws.

STRENGTH:

Bobrick grab bars that provide 1-1/2" (38mm) clearance from wall can support loads in excess of 900 pounds (408kg) if properly installed. Other grab bar configurations can support loads in excess of 250 pounds (113kg) if properly installed, complying with accessible design (including ADAAG in the U.S.A.) for structural strength.

Safety Warning: Grab bars are no stronger than the anchors and walls to which they are attached and, therefore, must be firmly secured in order to support the loads for which they are intended. To avoid potential injury, the building owner or maintenance personnel should remove the grab bar from service if the grab bar is not adequately secured to wall or if there is any observed damage to the welds.

INSTALLATION:

Provide concealed anchor device or backing as specified or required in accordance with local building codes before wall is finished. Fasten concealed mounting flanges to anchor device or backing with at least two screws opposing each other in each flange. Snap flange covers over each mounting flange to conceal mounting screws. Concealed anchor devices and mounting screws are not included with Bobrick grab bars and must be specified as an accessory.

For Grab Bars with an Intermediate Flange(s), Pull Snap-Flange Covers away from mounting flanges. Place grab bar in desired mounting location. Use intermediate flange as a template to mark location of mounting screws at intermediate flange only. Mark screw locations at the center of the slot in the middle of the double-keyhole shaped mounting holes (2) in the intermediate flange. Remove grab bar from wall. Drive the intermediate flange mounting screws into wall at marked locations. **Note:** Make sure to leave a space of just over 1/8" (3.17mm) between the underside of the screw head and the wall. Install grab bar on the wall by placing the round ends of the intermediate flange double-keyhole shaped mounting holes over the mounting screws (2) are located in the middle of the flange slots. Install the mounting screws into the wall at the end flanges and secure tightly. Tighten the mounting screws at the intermediate flange. Press all snap-flange covers into place to conceal mounting flanges.

Note: Recommend use of 1/4" or #14 sheet metal or wood screws to install Intermediate Flange. #12 screws may also be used.

Important Notes:

- Mounting Kits** — Bobrick offers a mounting kit for installing grab bars; **one Bobrick mounting kit is required for each flange.**

Mounting Kit No.	Description
252-30	Consists of (3) #14 x 2 1/2" type-304 stainless steel, Phillips round-head, sheet-metal screws.

- Grab Bar Fastener** — Bobrick offers a grab bar fastening system that secures all Bobrick grab bar series; **one Bobrick fastener is required for each flange.** Install grab bar without backing in wall requires minimum 5/8" (16mm) thick painted or tiled drywall.

WingIt™ Fastener No.	Description
251-4	Consists of 10–32 x 5/16" round-head, Phillips 18/8 stainless steel screws. (1) WingIt grab bar fastener.

- Optional Anchor Device** — Bobrick grab bar anchor device includes stainless steel machine screws to be used for attaching grab bars to anchors. **one Bobrick concealed anchor device is required for each flange.**

Optional Anchor No.	Description
2583	Anchor for 3/4" to 1" (19-25mm) panel 1 anchor required for each flange.
2586	Anchor for 1/2" to 1" (13mm) panel 1 anchor required for each flange.

SPECIFICATION:

Grab bar shall be type-304 stainless steel with satin-finish. Grab bar shall have 18-gauge (1.2mm) wall thickness and 1-1/4" (32mm) outside diameter. Clearance between the grab bar and wall shall be 1-1/2" (38mm). Concealed mounting flanges shall be 11-gauge (3.2 mm) thick stainless steel plate, 2" x 3-1/8" (50 x 80mm), and equipped with at least two screw holes for attachment to wall. Flange covers shall be 22-gauge (0.8mm) stainless steel, 3-1/4" (85mm) diameter, and shall snap over mounting flanges to conceal mounting screws and/or WingIt fasteners. Ends of grab bar shall pass through concealed mounting flanges and be heliarc welded to form one structural unit. Grab bar shall comply with accessible design (including ADAAG in the U.S.A.) for structural strength.

Grab Bar shall be Model _____ (insert model number) of Bobrick Washroom Equipment, Inc., Clifton Park, New York; Jackson, Tennessee; and Los Angeles, California; Bobrick Washroom Equipment Company, Scarborough, Ontario; Bobrick Washroom Equipment Pty. Ltd., Australia; and Bobrick Washroom Equipment Limited, United Kingdom.