

Accessible Toilet Room

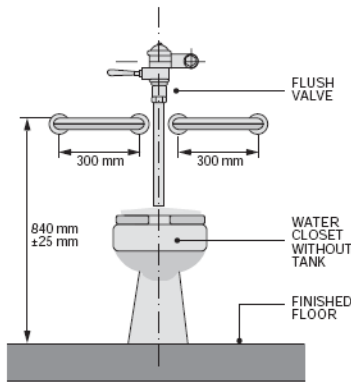


FIGURE 3.8.47. – Grab Bars (Alternative)

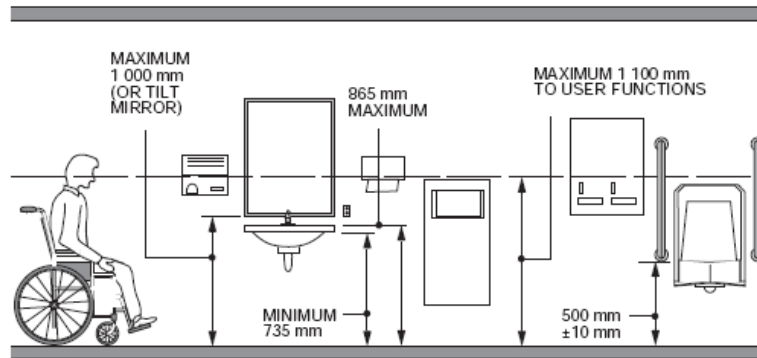


FIGURE 3.8.51. – Washroom Accessories

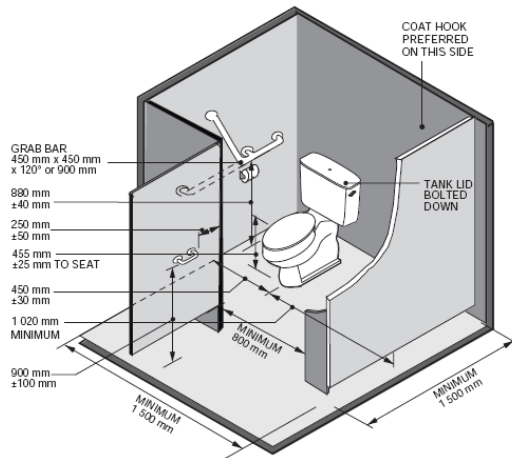


FIGURE 3.8.48. – Toilet Compartment

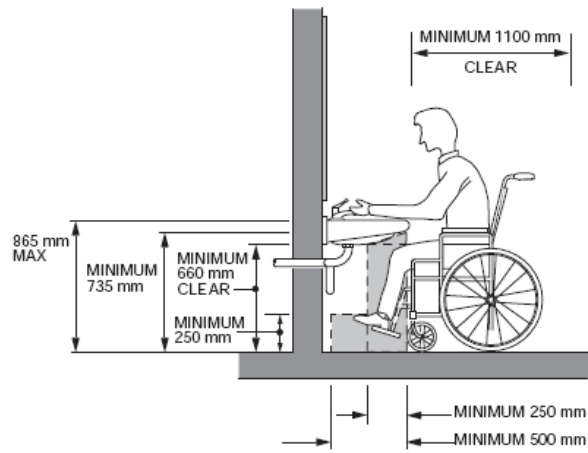


FIGURE 3.8.49. – Clearance Under Wash Basin

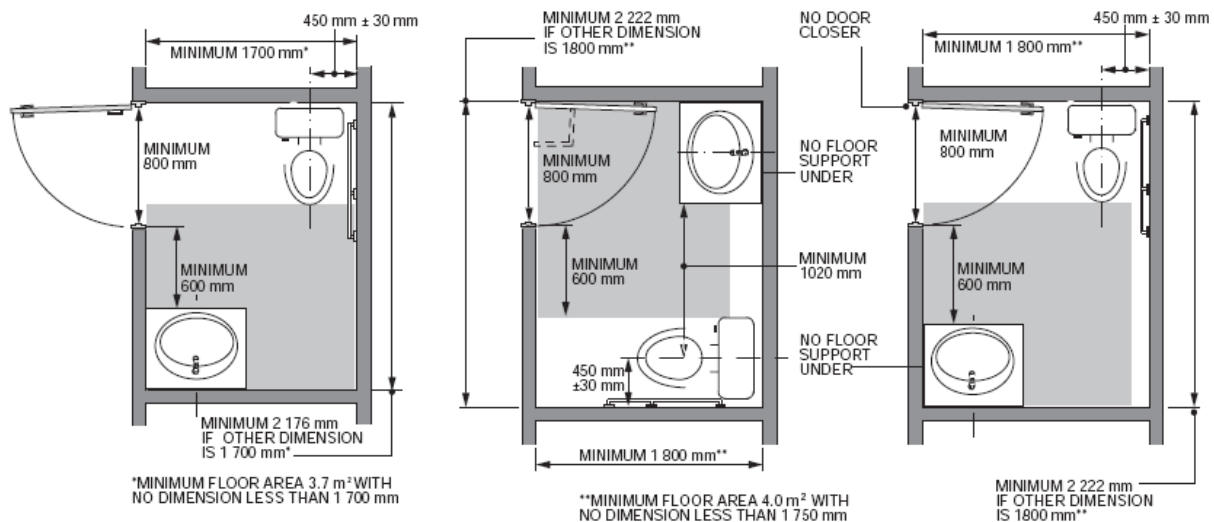


FIGURE 3.8.52. – Suggested Toilet Room Layouts