



PROCUREMENT SERVICES

CITY OF SURREY, SURREY CITY HALL
13450 – 104 Avenue, Surrey, B.C., V3T 1V8
Tel: 604-590-7274
E-mail: purchasing@surrey.ca

ADDENDUM No. 2

REQUEST FOR QUOTATIONS No.: 1220-040-2022-013

TITLE: Supply and Delivery of Flap Gates for Flood Boxes

ADDENDUM ISSUE DATE: February 9, 2022

DATE: PREFER TO RECEIVE SUBMISSION ON OR BEFORE February 10, 2022.

INFORMATION FOR CONTRACTORS

Contractors are advised that Addendum No.2 to RFQ # 1220-040-2022-013 is hereby issued by the City. This addendum shall form part of the contract documents and is to be read, interpreted and coordinated with all other parts. The following information is provided to answer questions raised by Contractors for the above-named project, to the extent referenced and shall become a part thereof. No consideration will be allowed for extras due to the Contractors or any sub-contractor not being familiar with this addendum. This Addendum No.2 contains four (4) pages in total.

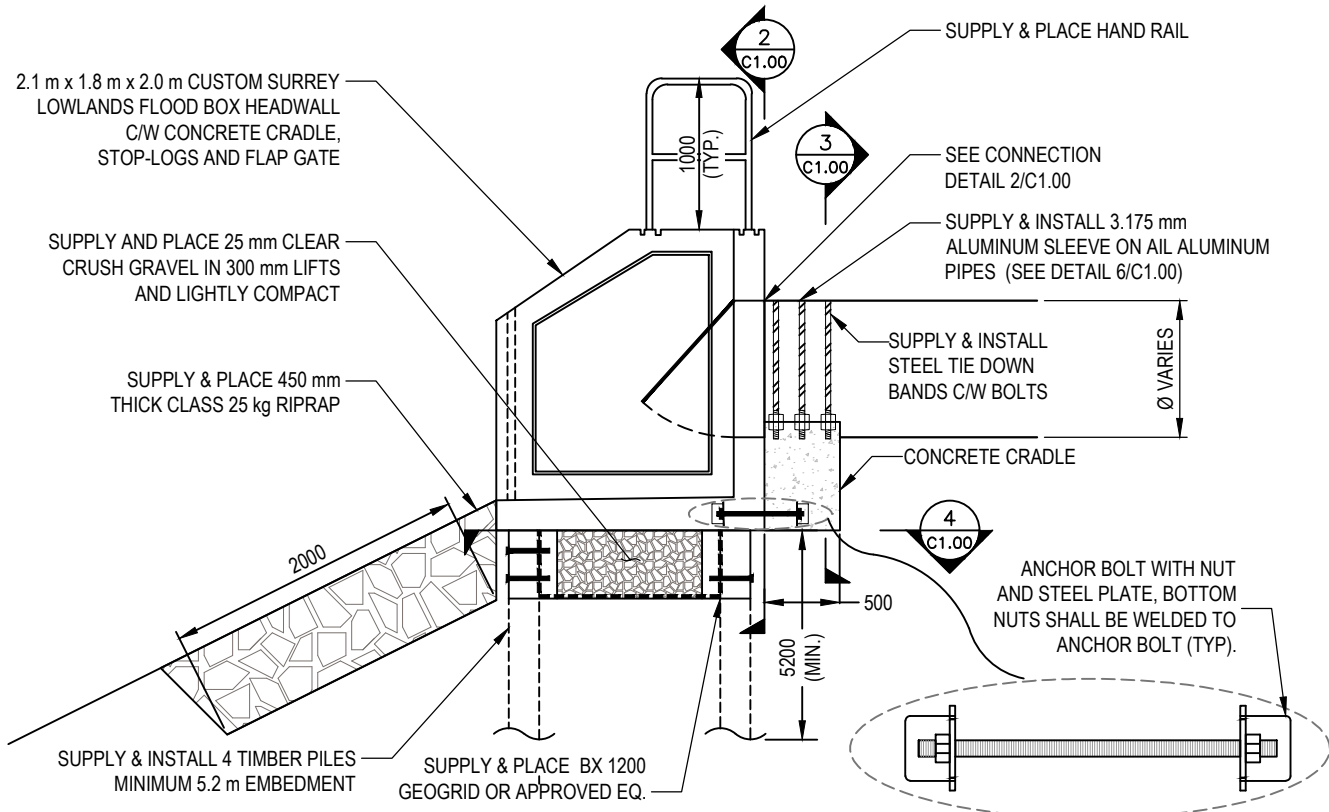
QUESTIONS AND ANSWERS:

Q1. Are there any further mechanical drawings showing the installation? And if this is a gravity or pumped application?

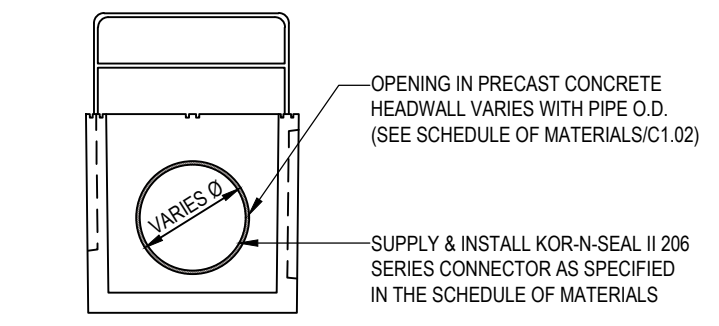
A1. For drawings, see attached. The application of the flap gates is for a gravity system.

All Addenda will become part of the Contract Documents.

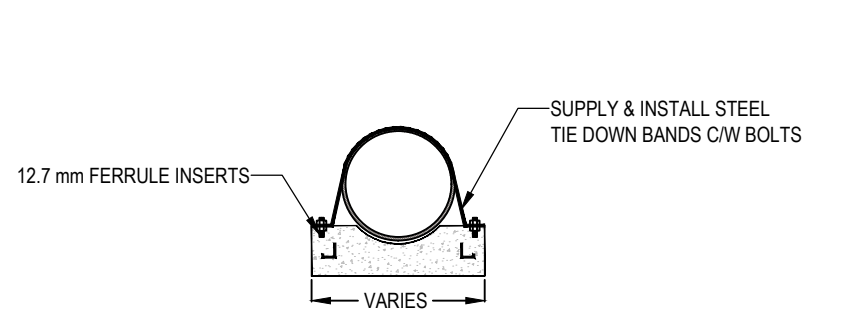
- END OF ADDENDUM -



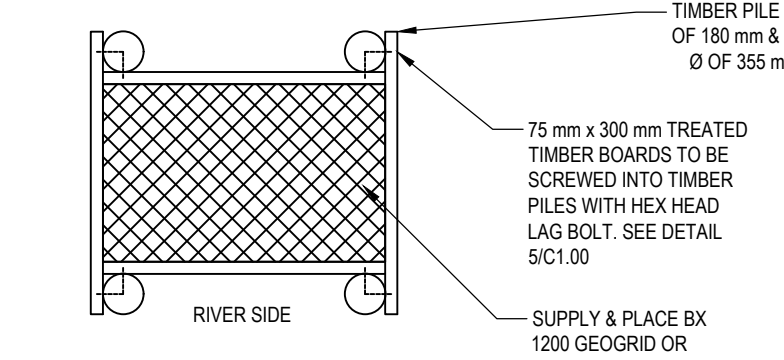
1 HEADWALL FOUNDATION DETAIL
C1.00 N.T.S



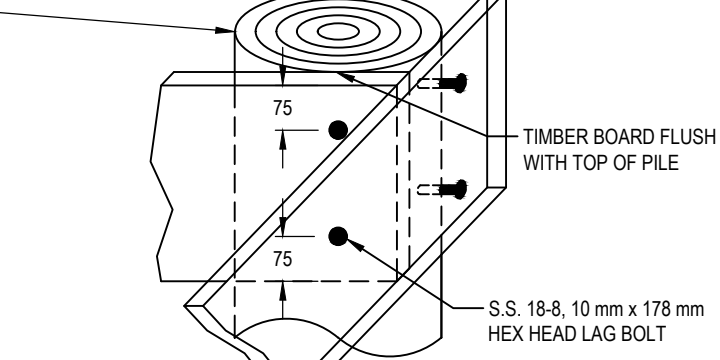
2 PIPE CONNECTION DETAIL
C1.00 N.T.S



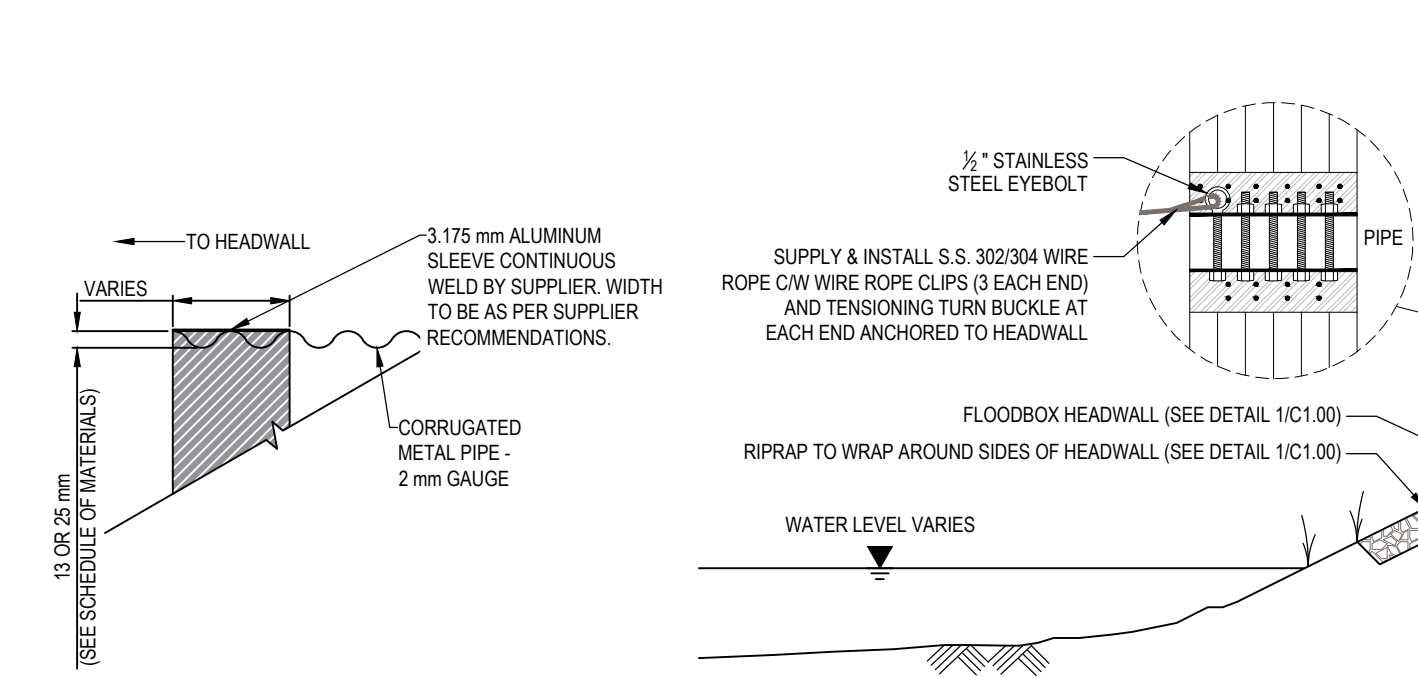
3 CONCRETE CRADLE TIE DOWN DETAIL
C1.00 N.T.S



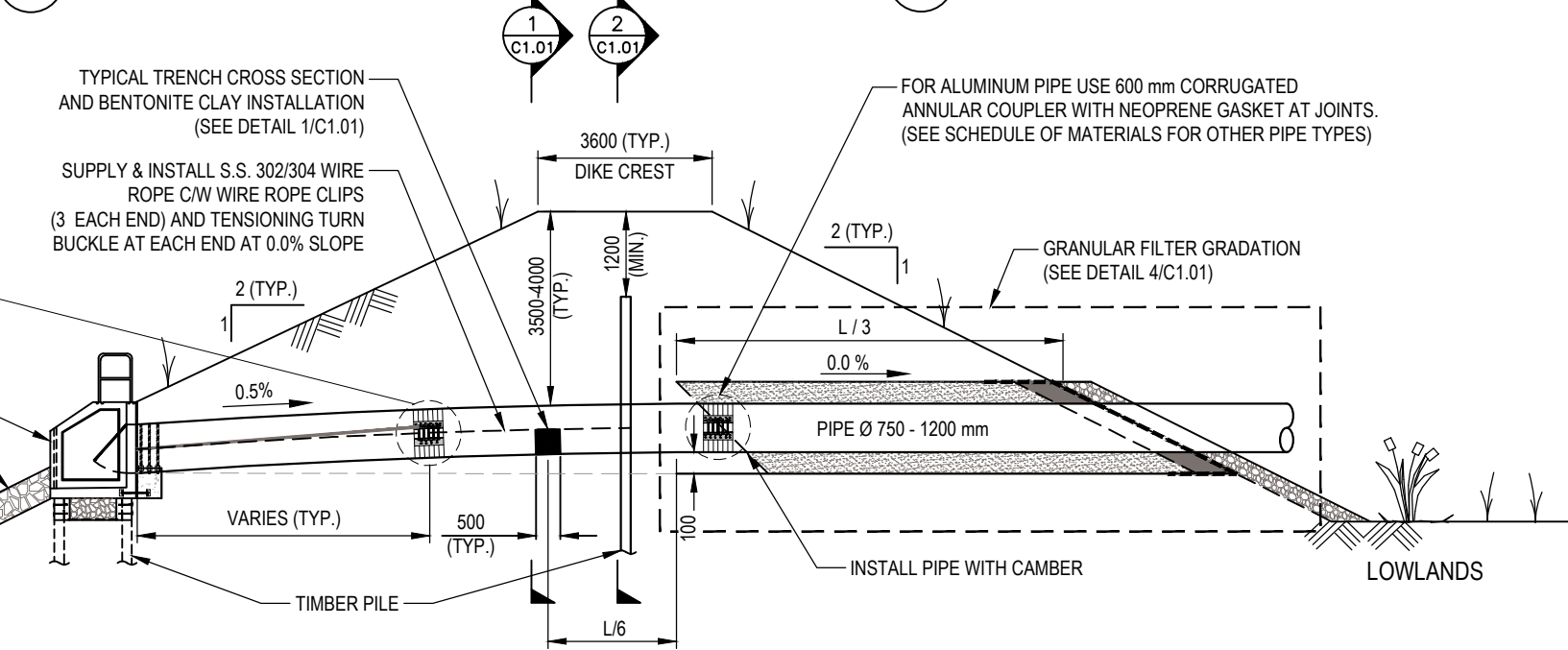
4 TIMBER BOARD INSTALLATION DETAIL
C1.00 N.T.S



5 TIMBER BOARD/PILE CONNECTION DETAIL
C1.00 N.T.S



6 ALUMINUM SLEEVE BY SUPPLIER
C1.00 N.T.S



7 PROFILE VIEW
C1.00 N.T.S

NOTES:

1. ALL DIMENSIONS ARE IN MILLIMETERS UNLESS NOTED OTHERWISE.

| NUM | DATE | DWN | CKD | APR | DESCRIPTION | NUM | DATE | APR | DESCRIPTION |
|----------------|------------|-----|-----|-----|-------------------|-----|------|-----|-------------|
| A | 12/20/2019 | MJK | JW | DM | ISSUED FOR REVIEW | | | | |
| REVISIONS | | | | | | | | | |
| DRAWING STATUS | | | | | | | | | |

CLIENT

CITY OF SURREY
the future lives here.

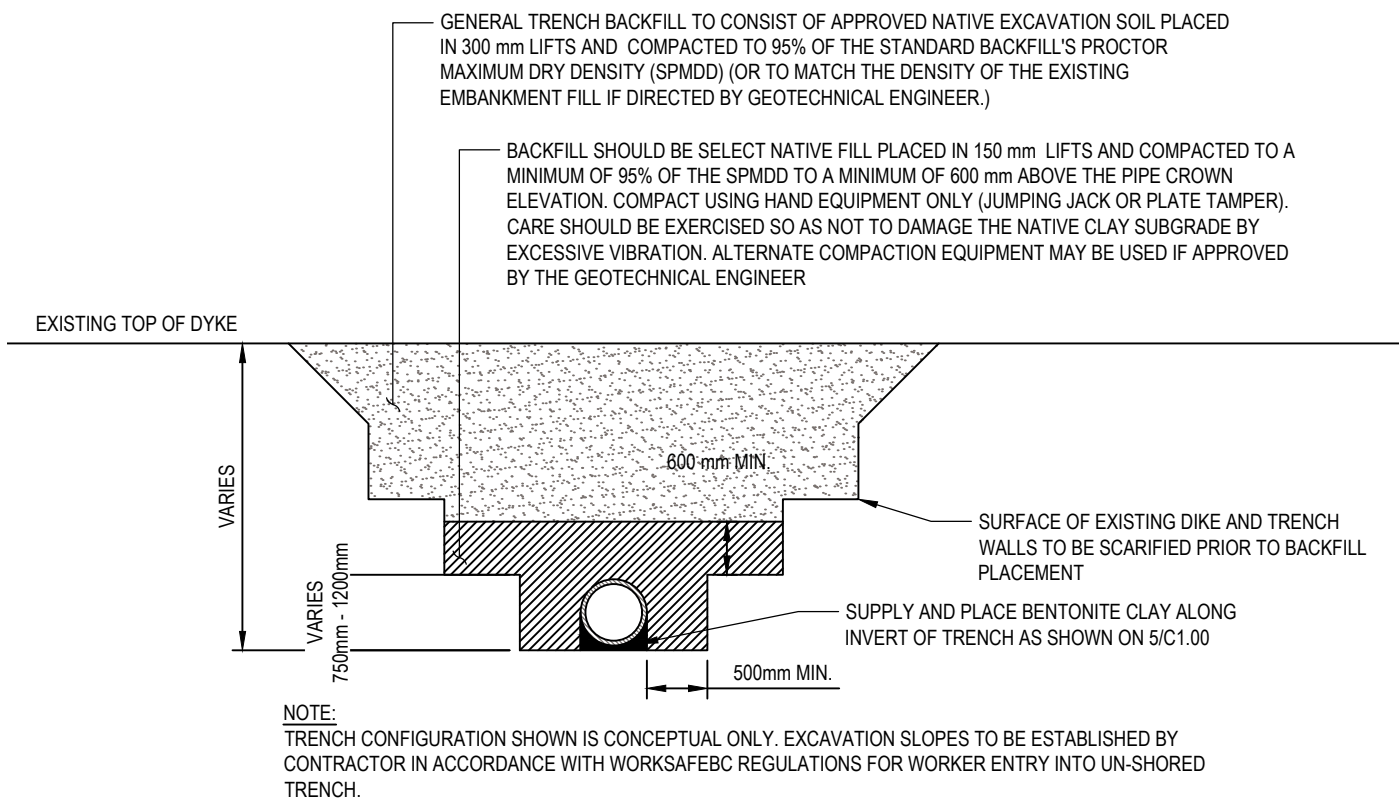
TETRA TECH

SURREY LOWLANDS FLOOD BOXES
SURREY, B.C.

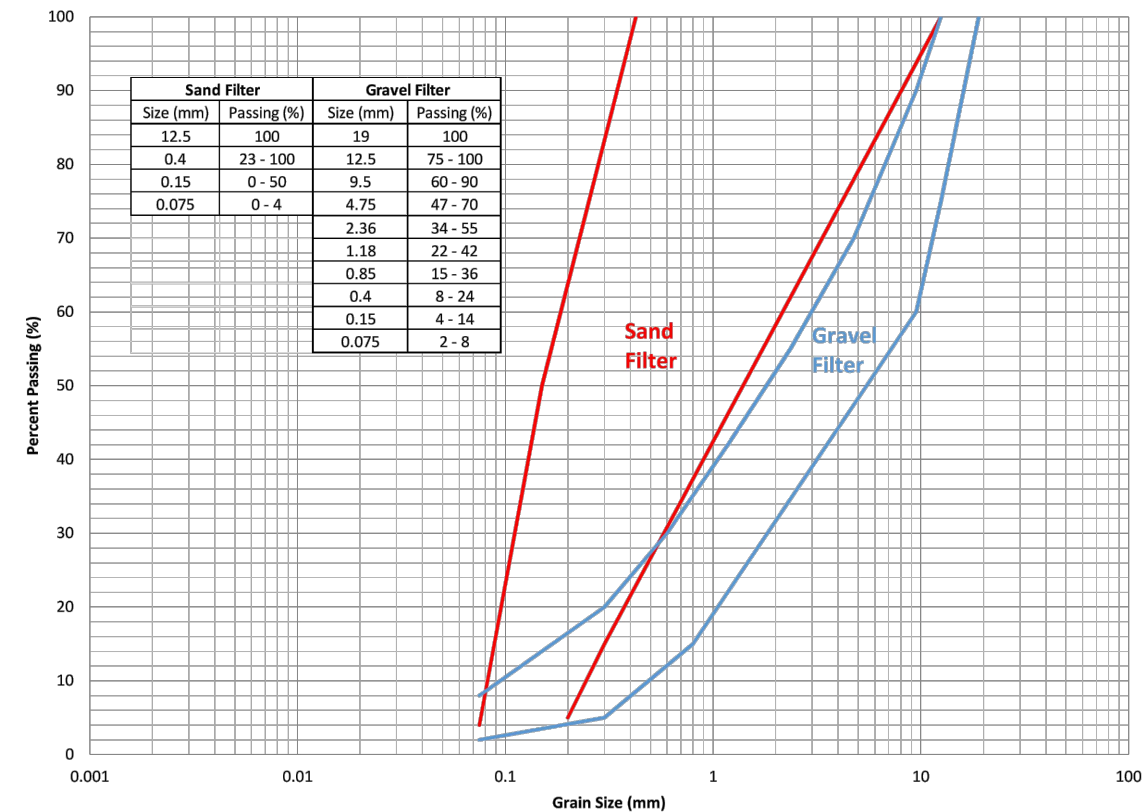
FLOOD BOX INSTALLATION

| | | | | |
|-------------------|-----------|-----|-----|--------|
| PROJECT No. | OFFICE | DES | CKD | REV |
| V13203062-02 | VANC | DM | JW | A |
| DATE: | SHEET No. | DWN | APP | STATUS |
| December 20, 2019 | 1 of 3 | MJK | DM | IFR |

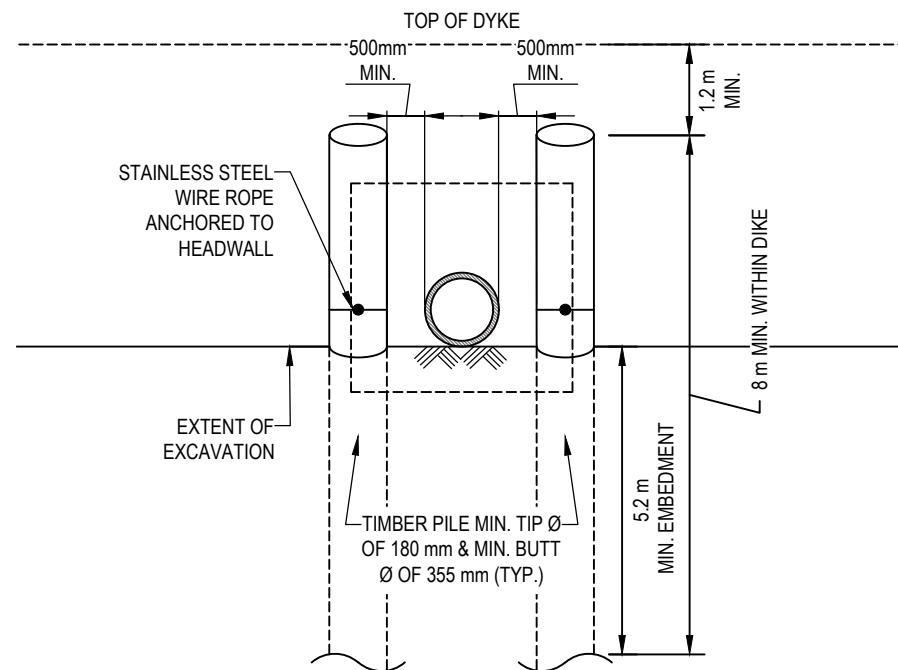
C1.00



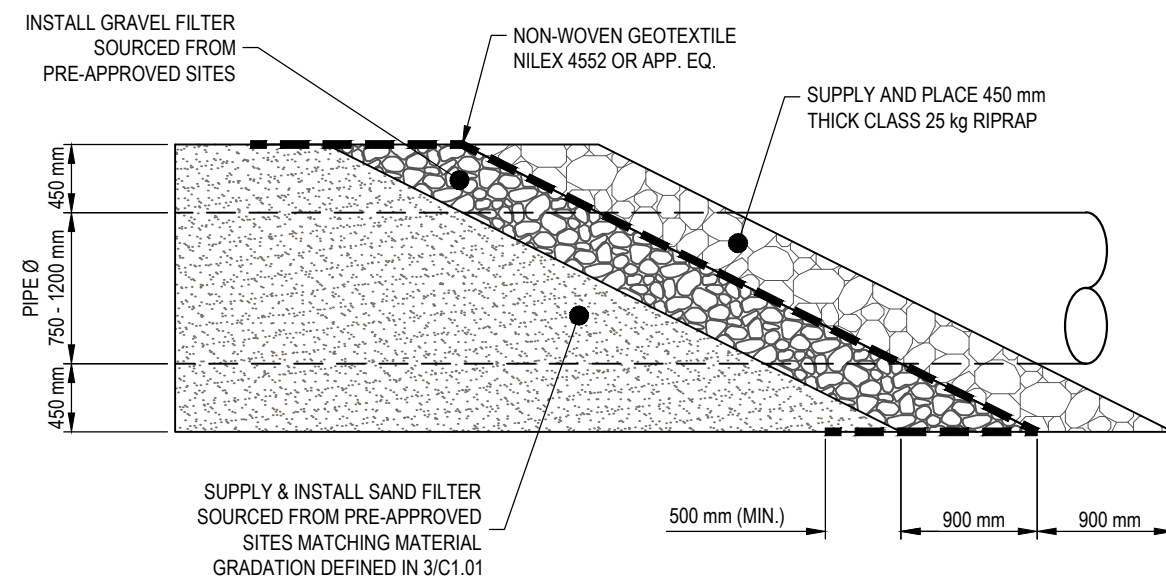
1 TYPICAL TRENCH DETAIL WITH BENTONITE INSTALLATION
C1.01 N.T.S



2 GRANULAR FILTER GRADATION
C1.01 N.T.S



3 ANCHOR PILE INSTALLATION DETAIL
C1.01 N.T.S



4 GRANULAR FILL SEQUENCE
C1.01 N.T.S

| NUM | DATE | DWN | CKD | APR | DESCRIPTION | NUM | DATE | APR | DESCRIPTION | |
|-----|------------|-----|-----|-----|-------------------|-----|------|-----|-------------|--|
| A | 12/20/2019 | HW | JW | DM | ISSUED FOR REVIEW | | | | | |
| | | | | | REVISIONS | | | | | |
| | | | | | DRAWING STATUS | | | | | |

| | | | | |
|-----------------------------|--|-----------|-----------|---------------|
| | SURREY LOWLANDS FLOOD BOXES SURREY, B.C. | | | |
| | FLOOD BOX INSTALLATION | | | |
| PROJECT No. V13203062-02 | OFFICE VANC | DES DM | OKD JW | REV A |
| DATE December 20, 2019 | SHEET No. 2 of 3 | DWN HW | APP DM | STATUS IFR |
| | | | | C1.01 |

| SCHEDULE OF MATERIALS (HEADWALL TO PIPE CONNECTION) | | | | | | | | | |
|---|---|---------|---|-----------------|---------------|------------------------|----------------------------|----------------|-----------------|
| NOMINAL SIZE (mm) | PIPE | PIPE OD | PIPE JOINT SYSTEM | KOR-N-SEAL | | | LANGLEY CONCRETE | | FONTAINE |
| | | | | CONNECTOR MODEL | PIPE OD RANGE | HEADWALL OPENING RANGE | HEADWALL SPECIFIED OPENING | HEADWALL MODEL | FLAP GATE MODEL |
| 750 | BOSS 2000 + SLEEVE | 908 | ULTRA STAB 75 | S206-40 | 905-939 | 1017-1021 | 1019 | SD-337 | 60-42-A-CW-20 |
| | ALL ALUMINUM (68x13 mm CORRUGATION) | 786 | 600 mm ANNULAR COUPLER WITH NEOPRENE GASKET | S206-34 | 753-787 | 864-868 | 866 | SD-334 | 60-36-A-CW-20 |
| | ALL ALUMINUM + SLEEVE (REF. TO 6/C1.00) | 794 | 600 mm ANNULAR COUPLER WITH NEOPRENE GASKET | S206-34L | 788-803 | 864-868 | 866 | SD-334 | 60-36-A-CW-20 |
| | DURROMAXX | 785 | HIGH PERFORMANCE (HP) JOINT | S206-34 | 753-787 | 864-868 | 866 | SD-334 | 60-36-A-CW-20 |
| | DUROMAXX + SLEEVE | 798 | HIGH PERFORMANCE (HP) JOINT | S206-34L | 788-803 | 864-869 | 866 | SD-334 | 60-36-A-CW-20 |
| 900 | BOSS 2000 + SLEEVE | 1100 | ULTRA STAB 75 | S206-46L | 1093-1108 | 1169-1173 | 1171 | SD-336 | 60-48-A-CW-20 |
| | ALL ALUMINUM (68x13 mm CORRUGATION) | 938 | 600 mm ANNULAR COUPLER WITH NEOPRENE GASKET | S206-40 | 905-939 | 1017-1021 | 1019 | SD-337 | 60-42-A-CW-20 |
| | ALL ALUMINUM + SLEEVE (REF. TO 6/C1.00) | 946 | 600 mm ANNULAR COUPLER WITH NEOPRENE GASKET | S206-40L | 940-955 | 1017-1021 | 1019 | SD-337 | 60-42-A-CW-20 |
| | DURROMAXX | 942 | HIGH PERFORMANCE (HP) JOINT | S206-40L | 940-955 | 1017-1021 | 1019 | SD-337 | 60-42-A-CW-20 |
| | DUROMAXX + SLEEVE | 955 | HIGH PERFORMANCE (HP) JOINT | S206-40L | 940-955 | 1017-1021 | 1019 | SD-337 | 60-42-A-CW-20 |
| 1200 | ALL ALUMINUM (76x25 mm CORRUGATION) | 1260 | 600 mm ANNULAR COUPLER WITH NEOPRENE GASKET | S206-54 | 1245-1260 | 1372-1377 | 1375 | SD-338 | 60-56-A-CW-20 |
| | ALL ALUMINUM + SLEEVE (REF. TO 6/C1.00) | 1268 | 600 mm ANNULAR COUPLER WITH NEOPRENE GASKET | S206-54L | 1261-1295 | 1372-1377 | 1375 | SD-338 | 60-56-A-CW-20 |
| | DURROMAXX | 1257 | HIGH PERFORMANCE (HP) JOINT | S206-54 | 1245-1260 | 1372-1377 | 1375 | SD-338 | 60-56-A-CW-20 |
| | DUROMAXX + SLEEVE | 1270 | HIGH PERFORMANCE (HP) JOINT | S206-54L | 1261-1295 | 1372-1377 | 1375 | SD-338 | 60-56-A-CW-20 |

- FOR LANGLEY CONCRETE HEADWALL SHOP DRAWINGS REFER TO ISSUE FROM DEC 09, 2019
- "SLEEVE" REFERS TO THE SUPPLIER ADAPTER FROM HELICAL WOUND EXTERIOR TO SMOOTHED WALLED EXTERIOR TO FACILITATE ATTACHEMENT TO THE KOR-N-SEAL BAND. SEE DETAIL 6/C1.00.
- MATERIAL SUPPLIERS TO PROVIDE SHOP DRAWINGS FOR APPROVAL BEFORE MANUFACTURING.
- CONTRACTOR TO CONFIRM MATERIAL DIMENSIONS IS CONSISTENT WITH SPECIFIED COUPLERS. (DIMENSIONS MAY VARY)

1. GENERAL NOTES

- CONTRACTOR TO REMOVE AND DISPOSE OFFSITE ALL EXISTING PILES, HEADWALLS AND PIPES.
- THE LOCATIONS OF EXISTING UNDERGROUND UTILITIES HAVE NOT BEEN INDEPENDENTLY VERIFIED BY THE OWNER OR ITS REPRESENTATIVE. THE CONTRACTOR SHALL DETERMINE THE EXACT LOCATION OF ALL EXISTING UTILITIES BEFORE COMMENCING WORK AND AGREES TO BE FULLY RESPONSIBLE FOR ANY AND ALL DAMAGES WHICH MIGHT OCCUR BY THE CONTRACTOR'S FAILURE TO LOCATE ANY AND ALL UNDERGROUND UTILITIES.
- CONTRACTOR TO PROVIDE A SEDIMENT & EROSION CONTROL PLAN.
- CONTRACTOR IS ENCOURAGED TO INSTALL THE FLOODBOX OUTFALL DURING LOW TIDES TO LIMIT THE AMOUNT OF EFFORT NEEDED TO DEWATER THE SITE. SUMP PUMP DEWATERING IS LIKELY REQUIRED DURING THE EXCAVATION. USE OF SHEET PILES IS RECOMMENDED TO ISOLATE THE CONSTRUCTION SITE.

2. GENERAL EXCAVATION & COMPACTION

- A MINIMUM OF 500 mm CLEARANCE IS RECOMMENDED BETWEEN THE EXCAVATION SIDE SLOPES AND THE FLOODBOX TO ALLOW FOR ACCESS, PLACEMENT AND COMPACTION OF BACKFILL.
- CONTRACTOR TO PROTECT STOCKPILES FROM RAINFALL
- CONTRACTOR TO HAVE WALK-BEHIND COMPACTOR OR JUMPING JACK AVAILABLE ON-SITE TO COMPACT COARSE GRAINED SAND/GRAVEL FILTERS IF NECESSARY.

3. CITY OF SURREY SUPPLIED MATERIALS

- MATERIAL SUPPLIED BY THE CITY WILL BE DELIVERED TO THE CLOSEST INTERSECTION BETWEEN THE RIVER & THE CLOSEST PUBLIC ROAD. THE CONTRACTOR WILL BE RESPONSIBLE FOR TRANSPORTING THE SUPPLIED MATERIAL TO ITS FINAL DESTINATION..

4. PIPE

- INSTALLATION OF PIPES TO BE CARRIED OUT IN ACCORDANCE WITH MANUFACTURER'S SPECIFICATIONS AND RECOMMENDATIONS.
- AIL ALUMINUM PIPE TO BE SUPPLIED WITH ALUMINUM SLEEVE ON ONE PIPE SEGMENT TO CONNECT TO KOR-N-SEAL CONNECTION. SEE DETAIL 7/C1.00.

5. PRECAST HEADWALL

- HEADWALLS SUPPLIED TO BE 2.1 m x 1.8 m x 2.0 m CUSTOM SURREY LOWLANDS FLOOD BOX HEADWALL C/W KOR-N-SEAL II 206 SERIES CONNECTOR, CRADLE, STOP-LOGS, AND FLAP GATE.
- HEADWALL OPENING VARIES TO SUITE SUPPLIED PIPE
- INSTALLED FLAPGATE TO BE FONTAINE SERIES 60 FLAP GATE OR APPROVED HDPE EQUIVALENT.

6. GEOTEXTILE

- GEOTEXTILE TO BE INSTALLED WITH A MINIMUM OVERLAP OF 500 mm.

7. TIMBER PILE

- PILES TO BE INSTALLED WITHIN 2% OF VERTICAL WHILE BEING MONITORED BY A GEOTECHNICAL ENGINEER.

8. DIKE MATERIAL

- SELECT NATIVE FILL MATERIAL IS TO BE USED FOR BACKFILL.
- WHERE NATIVE MATERIAL IS UNSUITABLE FOR COMPACTION, CONTRACTOR IS TO REQUEST APPROVED IMPORT DIKE MATERIAL FROM THE CITY OF SURREY.

| NUM | DATE | DWN | CKD | APR | DESCRIPTION | NUM | DATE | APR | DESCRIPTION |
|-----------|------------|-----|-----|-----|-------------------|-----|------|-----|-------------|
| A | 12/20/2019 | MJK | JW | DM | ISSUED FOR REVIEW | | | | |
| REVISIONS | | | | | DRAWING STATUS | | | | |

CLIENT



**SURREY LOWLANDS FLOOD BOXES
SURREY, B.C.**

FLOOD BOX INSTALLATION

| | | | | |
|-----------------------------|---------------------|------------|-----------|---------------|
| PROJECT No. V13203062-02 | OFFICE VANC | DES DM | OKD JW | REV A |
| DATE: December 20, 2019 | SHEET No. 3 of 3 | DWN MJK | APP DM | STATUS IFR |

C1.02

PROFESSIONAL SEAL