



REQUEST FOR QUOTATIONS

Title: 2023 Flood Box Replacement

Reference No.: 1220-040-2023-001

MINOR WORKS

(Construction Services)

Issue Date: January 6, 2023

REQUEST FOR QUOTATIONS

TABLE OF CONTENTS

| | |
|--|----|
| 1. INTRODUCTION..... | 3 |
| 2. ADDRESS FOR DELIVERY..... | 3 |
| 3. DATE | 3 |
| 4. INQUIRIES..... | 3 |
| 5. ADDENDA | 4 |
| 6. NO CONTRACT | 4 |
| 7. ACCEPTANCE..... | 4 |
| 8. CONTRACTOR'S EXPENSES..... | 4 |
| 9. CONTRACTOR'S QUALIFICATIONS | 4 |
| 10. CONFLICT OF INTEREST | 4 |
| 11. SOLICITATION OF COUNCIL MEMBERS, CITY STAFF AND CITY CONSULTANTS..... | 5 |
| 12. CONFIDENTIALITY | 5 |
| 13. SIGNATURE | 5 |
| | |
| Schedule A – Scope of Work | 6 |
| Schedule B – Sample – Construction Contract | 8 |
| Schedule B – Appendix 1 – Special Provisions | 28 |
| Schedule B – Appendix 2 – Supplementary Specifications (Project) | 36 |
| Schedule B – Appendix 2-A – Contract Drawings..... | 46 |
| Schedule B – Appendix 3 – Schedule of Quantities and Prices | 55 |
| Schedule B – Appendix 4 – Construction Schedule..... | 55 |
| Schedule B – Appendix 5 – Key Personnel, Sub-Contractors and Material Suppliers | 55 |
| Schedule B – Appendix 6 – Prime Contractor Designation..... | 55 |
| Schedule B – Appendix 7 – Contractor Health & Safety Expectations (Responsibility of Contractor(s)) | 55 |
| | |
| Schedule C – Form of Quotation..... | 56 |
| | |
| Attachments: | |
| 1. City of Surrey, Project Completion Deliverables Worksheet | 62 |
| 2. Prime Contractor Designation – Letter of Understanding..... | 63 |
| 3. Contractor Health & Safety Expectations (Responsibility of Contractor(s)) | 64 |
| 4. Compliance to Safety Procedure, Entry Procedure for Confined Space | 68 |
| 5. Compliance to Safety Procedure, Working in Confined Space | 69 |

REQUEST FOR QUOTATIONS

1. INTRODUCTION

The City of Surrey (the “**City**”) invites contractors to provide a quotation on the form attached as Schedule C - Quotation (the “**Quotation**”) for the supply of the goods (if any) and services described in Schedule A – Scope of Work (the “**Work**”). The description of the Work sets out the minimum requirements of the City. A person that submits a Quotation (the “**Contractor**”) should prepare a Quotation that meets the minimum requirements, and may as it may choose, in addition, also include goods, services or terms that exceed the minimum requirements.

2. ADDRESS FOR DELIVERY

The Contractor should submit the Quotation **electronically** in a single pdf file which must be delivered by email at: purchasing@surrey.ca

Confirmation of receipt of emails will be issued. Quotations that cannot be opened or viewed may be rejected. A Contractor bears all risk that the City’s receiving computer equipment functions properly so that City receives the Quotation.

Note: The maximum file size the City can receive is 10Mb. If sending large email attachments, Contractors should phone [604-590-7274] to confirm receipt.

3. DATE

The City would prefer to receive Quotations on or before January 31, 2023 (the “**Date**”).

4. INQUIRIES

All inquiries related to this Request for Quotations (“**RFQ**”) should be directed in writing to the person named below (the “**City Representative**”). Information obtained from any person or source other than the City Representative may not be relied upon

Name: Sunny Kaila, Manager, Procurement Services

Email: purchasing@surrey.ca

Reference #: 1220-040-2023-001

Inquiries should be made no later than seven (7) business days before Date. The City reserves the right not to respond to inquiries made within seven (7) business days of the Date. Inquiries and responses will be recorded and may be distributed to all Contractors at the discretion of the City.

Contractors finding discrepancies or omissions in the Contract or RFQ or having doubts as to the meaning or intent of any provision, should immediately notify the City Representative. If the City determines that an amendment is required to this RFQ, the City Representative will issue an addendum in accordance with Section 5. No oral conversation will affect or modify the terms of this RFQ or may be relied upon by any Contractor.

5. ADDENDA

If the City determines that an amendment is required to this RFQ, the City Representative will issue a written addendum by posting it on the BC Bid website at www.bcbid.gov.bc.ca and the City website at www.surrey.ca (collectively, the “Websites”), and upon posting, any addenda will form a part of this RFQ. It is the responsibility of Contractors to check the Websites for addenda. The only way this RFQ may be added to, or amended in any way, is by a formal written addendum. No other communication, whether written or oral, from any person will affect or modify the terms of this RFQ or may be relied upon by any Contractor. By delivery of a Quotation the Contractor is deemed to have received, accepted and understood the entire RFQ, including any and all addenda.

6. NO CONTRACT

This RFQ is simply an invitation for quotations (including prices and terms) for the convenience of all parties. It is not a tender and no obligations of any kind will arise from this RFQ or the submission of Quotations. The City may negotiate changes to any terms of a Quotation, including terms in Schedules A and B and including prices, and may negotiate with one or more Contractors or may at any time invite or permit the submission of quotations (including prices and terms) from other parties who have not submitted Quotations.

7. ACCEPTANCE

A Quotation will be an offer to the City which the City may accept at any time by signing the copy of the Quotation and delivering it to the Contractor. A Quotation is not accepted by the City unless and until both the authorized signatory of the Contractor and the authorized signatory of the City have signed. Delivery of the signed Contract by the City may be by fax, pdf e-mail or hard copy. In that event, the contract will be comprised of the documents included in the definition of Contract in Schedule B.

8. CONTRACTOR'S EXPENSES

Contractors are solely responsible for their own expenses in preparing and submitting Quotations, and for any meetings, negotiations or discussions with the City or its representatives and consultants, relating to or arising from the RFQ. The City will not be liable to any Contractor for any claims, whether for costs, expenses, losses or damages, or loss of anticipated profits, incurred by the Contractor in preparing and submitting a Quotation, or participating in negotiations for a contract, or other activity related to or arising out of this RFQ.

9. CONTRACTOR'S QUALIFICATIONS

By submitting a Quotation, a Contractor represents that it has the expertise, qualifications, resources, and relevant experience with the requirements of the Work.

10. CONFLICT OF INTEREST

A Contractor should disclose in its Quotation any actual or potential conflicts of interest and existing business relationships it may have with the City, its elected or appointed officials or employees. The City may rely on such disclosure.

11. SOLICITATION OF COUNCIL MEMBERS, CITY STAFF AND CITY CONSULTANTS

Contractors and their agents will not contact any member of the City Council, City staff or City consultants with respect to this RFQ, other than the City Representative named in section 4, at any time prior to the award of a contract or the cancellation of this RFQ and which could be viewed as one Contractor attempting to seek an unfair advantage over other Contractors.

12. CONFIDENTIALITY

All Quotations become the property of the City and will not be returned to the Contractor. All Quotations will be held in confidence by the City unless otherwise required by law. Contractors should be aware the City is a “public body” defined by and subject to the *Freedom of Information and Protection of Privacy Act* of British Columbia.

13. SIGNATURE

The legal name of the person or firm submitting the Quotation should be inserted in the Quotation. The Quotation should be signed by a person authorized to sign on behalf of the Contractor and include the following:

- (a) If the Contractor is a corporation then the full name of the corporation should be included, together with the names of authorized signatories. The Quotation should be executed by all of the authorized signatories or by one or more of them provided that a copy of the corporate resolution authorizing those persons to execute the Quotation on behalf of the corporation is submitted;
- (b) If the Contractor is a partnership or joint venture then the name of the partnership or joint venture and the name of each partner or joint venturer should be included, and each partner or joint venturer should sign personally (or, if one or more person(s) have signing authority for the partnership or joint venture, the partnership or joint venture should provide evidence to the satisfaction of the City that the person(s) signing have signing authority for the partnership or joint venture). If a partner or joint venturer is a corporation then such corporation should sign as indicated in subsection (a) above; or
- (c) If the Contractor is an individual, including a sole proprietorship, the name of the individual should be included.

SCHEDULE A – SCOPE OF WORK

PROJECT TITLE: 2023 Flood Box Replacement

PROJECT No.: 1220-040-2023-001

1. DESCRIPTION OF SCOPE OF WORK

1. Provide all labour, materials, and equipment to perform all work necessary to repair flood boxes along the Nicomekl and Serpentine Rivers. The work shall consist of, but not necessarily be limited to, performing the following tasks where specified:

Remove the existing flood boxes material as required

Backfill and compact dyke

Fish salvage and sediment control

2. The area of work to be performed shall be at the locations shown in the attached Drawings.

The Contractor is advised to review the supplementary specifications in detail as there are requirements for the various items of work.

The lack of and/or omission of detailed specifications does not minimize the acceptable levels of service and only the best commercial practices are acceptable.

The detailed scope of work is as described on the Contract Drawings (listed below), Special Provisions (Schedule B – Appendix 1), and Method of Measurement and Payment (Schedule B- Appendix 2) and Supplementary Specifications (Schedule B- Appendix 3). The Contractor is advised to review the supplementary specifications in detail as there are requirements for the various items of work.

The City reserves the right to add, delete or change areas of the work, and may do so upon giving written notification to the Contractor. If these changes cause an increase or a reduction in the costs, said costs will be adjusted and, when agreed upon, incorporated into the agreement. Any adjusted costs shall conform to rates as set out in Schedule C Quotation. The Contractor shall not perform any extra work without the prior approval of the City.

Contractor to comply with all BC Plumbing Code, BC Fire Marshal, BC Workers' Compensation Board, National Building Code of Canada, National Fire Protection Association, and any other authorities having local jurisdiction. Failure to abide by these rules and regulations will result in being immediately escorted from the work site.

2. LIST OF CONTRACT DRAWINGS

The following drawings are included as part of this RFQ.

| DRAWING NUMBER - SPECIFICATION | DRAWING INDEX/TITLE | DATE OF ISSUE |
|--------------------------------|------------------------|---------------|
| G-1.00 | US-16950-R | December 2022 |
| G-2.00 | US-17230-R | December 2022 |
| G-3.00 | US-15542-R | December 2022 |
| G-4.00 | MS-12942-L | December 2022 |
| G-5.00 | LN-5727-R (Optional) | December 2022 |
| C-1.00 | Flood Box Installation | December 2019 |
| C-1.01 | Flood Box Installation | December 2019 |
| C-1.02 | Flood Box Installation | December 2019 |

**SCHEDULE B
SAMPLE – CONSTRUCTION CONTRACT**

Title: 2023 Flood Box Replacement

Contract No.: 1220-040-2023-001

THIS AGREEMENT dated the _____ day of _____, 202_.

BETWEEN:

CITY OF SURREY
13450 – 104th Avenue
Surrey, B.C., V3T 1V8, Canada

(the "**City**")

OF THE FIRST PART

AND:

(Full legal name and address of Contractor)

(the "**Contractor**")

OF THE SECOND PART

WHEREAS the Contractor wishes to undertake the following project for the benefit of the City:

Flood Box Replacement

NOW THEREFORE THIS CONTRACT WITNESSETH that in consideration of the premises and payment of One (\$1.00) Dollar and other good and valuable consideration paid by each of the parties to each other (the receipt and sufficiency of which each party hereby acknowledges), the parties hereby covenant and agree with each other as follows:

1. DEFINITIONS

- 1.1 For the purposes of this Contract, the following terms shall have the meanings set forth below:
- (a) "**Certification of Completion**" means a certificate issued indicating that Substantial Performance of the Work has been achieved;
 - (b) "**Certificate of Total Performance**" means a certificate issued indicating that the Work has been achieved;

- (c) **“Change”** means an addition to, deletion from or alteration of the Work;
- (d) **“Change Order”** means a Change is approved, the Consultant shall issue a written approval, setting out a description of the Work covered by the Change, the price or method of valuation for the Work, the change in the Contract Price and adjustment, if any, to the Contract Time. The value of the Work performed in a Change shall be included for payment with the certificates for payment;
- (e) **“City”** means the City of Surrey;
- (f) **“Consultant”** is the person or entity engaged by the City and identified as such in the Contract. The Consultant is the Architect, the Engineer or entity licensed to practice in the province of British Columbia. The term Consultant means the Consultant or the Consultant’s authorized representative;
- (g) **“Construction Schedule”** means a construction schedule indicating the planned start and completion dates of the major activities of the Work as set out in **Appendix [], a future Appendix;**
- (h) **“Contract”** means this Contract as set out and described in the Contract Documents;
- (i) **“Contract Administrator”** means the person, firm or corporation appointed by the City and identified by the City in writing to the Contractor. The Contract Administrator may be the City’s Engineer, other employee, or officer, or may be an outside consultant;
- (j) **“Contract Documents”** means this Contract including all schedules and appendices, construction standards, specifications and drawings;
- (k) **“Contract Drawings”** means the graphic and pictorial portions of the Contract Documents, wherever located and whenever issued, showing the design, location and dimensions of the Work, generally including plans, elevations, sections, details and diagrams;
- (l) **“Contract Price”** means the price of the Work as set out Section 4.1 of this Contract;
- (m) **“Contract Time”** means the period of time for the completion of the Work as provided by the Contract Documents;
- (n) **“Contractor”** means the person, firm or corporation identified as such in this Contract and includes the Contractor’s authorized representative as designated to the City in writing;
- (o) **“Extra Work”** has the meaning set out in Section 33;
- (p) **“Milestone Date”** means any date specified in the Contract Documents for completion of the Work, or portion of the Work, including the dates of Substantial Performance or Total Performance;

- (q) **“Overhead”** means all costs associated with management, supervision, insurance, as-built preparation and warranty, administration and supervision at the Place of Work (including the provision of and maintaining office coordination, office costs, supervision, site trailer, telephone service, and long-distance charges) courier, permits, insurance and small tools and general office supplies as required for the performance of the Work.”
- (r) **“Payment Certifier”** is the person or entity identified as such in the Contract responsible for the issuance of certificates of payment;
- (s) **“Place of Work”** means the designated site or location where the Work products are to be finally or permanently constructed or installed;
- (t) **“Project Manager”** is the person or entity engaged by the City and identified as such in the Contract;
- (u) **“Substantial Performance”** means the stage of completion when:
 - (a) all Work, as certified by the Contract Administrator, is capable of completion or correction at a cost of not more than:
 - (i) 3% of the first \$500,000 of the Contract Price;
 - (ii) 2% of the next \$500,000 of the Contract price; and
 - (iii) 1% of the balance of the Contract Price, and
 - (b) the Work, or a substantial part of it, is ready for use or is being used for the purpose intended.
- (v) **“Total Performance”** means when all Work, including all deficiencies but excluding any correction of completed Work that appears during the on-going warranty or guarantee obligations as provided in the Contract Documents, as certified by the Contract Administrator; and
- (w) **“Work”** means and includes anything and everything required to be done for the fulfillment and completion of this Contract.

2. THE WORK – START/COMPLETION DATES

- 2.1 The Contractor will perform all Work and provide all labour, equipment and material and do all things strictly as required by the Contract Documents.
- 2.2 The Contractor will commence the Work in accordance with the Notice to Proceed. The Contractor will proceed with the Work diligently, will perform the Work generally in accordance with the Construction Schedules as required by the Contract Documents and will achieve Substantial Performance of the Work on or before 195 days from the Notice to Proceed date subject to the provision of the Contract Documents for adjustments to the Contract Time.
- 2.3 Time shall be of the essence of the Contract.

3. CONTRACT DOCUMENTS

- 3.1 All of the Contract Documents shall constitute the entire Contract between the City and the Contractor.
- 3.2 The Contract supersedes all prior negotiations, representations or agreements, whether written or oral, and the Contract may be amended only in strict accordance with the provisions of the Contract Documents.
- 3.3 If there is any inconsistency or conflict between the provisions of the Contract Documents, then the Contract Documents shall govern and take precedence in the following order with this Contract taking precedence over all other Contract Documents:
- (a) Contract;
 - (b) Addenda (if any);
 - (c) Departmental Construction Standards (if any);
 - (d) Specifications;
 - (e) Drawings; and
 - (f) all other Contract Documents.

4. CONTRACT PRICE

- 4.1 The Contract Price for the Work shall be the sum of _____ Dollars and _____ Cents (\$_____), plus goods and services tax in the amount of _____ Dollars and _____ Cents (\$_____), for a total Contract Price of _____ Dollars and _____ Cents (\$_____) in Canadian funds (the "Contract Price") plus any adjustments approved by the City, including any payments owing on account of Change Orders and agreed to Extra Work, approved in accordance with the provisions of the Contract Documents.
- 4.2 For greater certainty, the Contract Price shall be the entire compensation owing to the Contractor for the Work and this compensation shall cover and include all profit and all costs of supervision, labour, material, equipment, Overhead, financing, and all other costs and expenses whatsoever incurred in performing the Work, even if the Contract Documents does not specifically mention such items. The Contract Price is a firm fixed price.

5. HOLDBACKS

- 5.1 The City shall hold back 10%, or other percentage as required by the *Builders Lien Act*, SBC 1997, c. 45, as amended (the "*Builders Lien Act*"), of any amounts due to the Contractor as a builders lien holdback.
- 5.2 In addition to other holdbacks as provided by the Contract Documents, when considering Substantial Performance, the City may hold back from payments otherwise due to the Contractor 200% of a reasonable estimate, as determined by the City's Representative, on account of deficient or Defective Work already paid for. This holdback may be held, without interest, until such deficiency or defect is remedied. The items of defect or deficiency and the amounts of related holdback shall be listed separately on the invoice.

- 5.3 If after Substantial Performance is achieved the Contractor is unable to complete any of the Work because of climatic or other conditions beyond the Contractor's reasonable control, then the City may hold back from payments otherwise due to the Contractor the amount as estimated by the Consultant in consultation with the Contractor by which the cost to have others complete the Work exceeds the estimated Contract Price for such Work.
- 5.4 The City may, in addition to other holdbacks as provided by the Contract Documents, hold back an amount equal to any lien which has been filed with respect to the Work, plus 15% as security for costs. The City may, at its option, after five (5) days written notice to the Contractor, pay such amount into court to discharge the lien. If the lien is discharged without payment of the holdback into court, then the City shall pay such holdback to the Contractor, without interest.
- 5.5 **Holdback period of 55 days will follow the date of substantial performance.** The City will perform a court registry search on the 46th day, on a best effort basis.

6. INVOICING AND PAYMENT

- 6.1 Subject to applicable legislation, including without limitation the holdbacks referred to in above, and the provisions of the Contract Documents, the City shall make payments to the Contractor thirty (30) days after receipt of any invoice from the Contractor.
- 6.2 The Contractor shall submit invoice(s) for payment to the City, based on the completion of each phase of the Work. Any and all Extra Work as approved by the City, should be clearly identified and quantified on a separate invoice(s).
- 6.3 The invoice(s) submitted for the completion of each project phase shall be clearly itemized to the details of the phase completed or the amount of Work performed, the billing rates, show an invoice number, contractor's name, address, telephone number, reference the City's purchase order number or name and location of employee, and in an itemized manner the amount due for each phase completed, tax (if any) and a grand total. The grand total will be subject to holdbacks.
- 6.4 The payment by the City of any monthly or other payment shall not bind the City with respect to any subsequent payment or the final progress payment, but shall be taken as approximate only, and shall not mean, or be construed to mean, that the City has accepted Work that is not in accordance with the requirements of the Contract Documents, or that the Contractor is in any manner released from its obligation to comply with the Contract Documents.
- 6.5 For earlier payment, the Contractor can offer a cash discount.
- 6.6 Payments to Contractors can be made through Electronic Funds Transfer (EFT), directly into the Contractor's bank account. An EFT application form can be provided to the successful Contractor for completion.
- Invoices should be sent electronically to: surreyinvoices@surrey.ca
- 6.7 The City shall not be liable for interest or overdue charges on any invoice.

- 6.8 Unless otherwise provided, all dollar amounts referred to in this Contract are in lawful money of Canada.
- 6.9 If the Contractor is a non-resident of Canada and does not provide to the City a waiver of regulation letter, the City will withhold and remit to the appropriate governmental authority the greater of:
- (a) 15% of each payment due to the Contractor; or
 - (b) the amount required under applicable tax legislation.

7. PERFORMANCE OF THE WORK

- 7.1 The Contractor will perform and provide all labour, services and other acts, and provide all equipment, machinery, water, heat, power, and facilities required for performance of the Work.
- 7.2 The Contractor will not proceed with any work that is not part of the Work, except in accordance with the Contract.
- 7.3 The Contractor will apply for and pay for all necessary permits and licenses and pay all fees required for the performance of the Work.

8. CHANGES

- 8.1 The City may, without invalidating the Contract, change the Work by adding to or deducting from the Work in which event the Construction Schedule will be adjusted.
- 8.2 The Contractor will not proceed with any Change without a written Change Order signed by the City.
- 8.3 The Contractor's Overhead and profit will not be allowed on Change Orders paid for from allowances specified in the Contract.
- 8.4 The value of a change in the Work shall be determined by one or more of the following methods:
- (a) by estimate and acceptance in a lump sum; or
 - (b) by unit prices as set out in the Contract, or subsequently agreed upon; or
 - (c) by actual cost and an allowance for Overhead and profit as follows:
 - 1. Contractor's Overhead and profit on expenditures from cash allowances, shall be included in the Contract Price, except the Contractor is entitled to additional Overhead and profit only on the portion of the change greater than the cash allowance. If the change is less than the cash allowance the Contract Price shall be decreased by the amount of the change without adjustment for the Contractor's Overhead and profit;
 - 2. for changes in the Work not covered by cash allowances:
 - (i) if there is no increase or decrease in the Contract Price the Contractor is not entitled to any Overhead and profit on the change,
 - (ii) if the Contract Price is increased, the Contractor is entitled to an additional:

- .1 10% Overhead and profit on Work performed directly by the Contractor, and
 - .2 5% on Work performed by the Subcontractor, only on the portion of the increase in the Contract Price, and
 - .3 0% on design services and work performed by the Contractor's consultants;
- (iii) if the Contract Price is decreased by the change the Contractor is not entitled to Overhead and profit on the reduction in the Contract Price;
3. the Subcontractor or the sub-subcontractor Overhead and profit shall be 5% of the actual cost of all Subcontractor's or sub-subcontractor's changes in the Work; and
 4. where the change involves the substitution of one type of Work and/or Product for another the actual cost of the change, shall be the net difference in the actual cost without any entitlement to Overhead and profit."

9. SITE CONDITIONS

9.1 The Contractor acknowledges and agrees that:

- (a) it has had the opportunity to undertake additional examinations or subsurface investigations, or both, of the Place of Work, including any buildings or structures involved with the Work, in order to satisfy itself as to site conditions, including subsurface conditions and the impact they could have on the Work and the Contract; and
- (b) it is not entitled to any adjustment in the Contract, or to any other remuneration or damages whatsoever, in any way connected with the site conditions at the Place of Work, including subsurface conditions.

10. DOCUMENTS

10.1 The Contractor will keep one copy of the Contract, including the schedules and all Drawings, specifications and shop drawings, at the Place of Work in good order and available for review by the City's Representative, and deliver a complete set to the City upon Substantial Performance of the Work.

10.2 The Contractor agrees that the City is hereby granted an unconditional and irrevocable perpetual license to reproduce and use, in whole or in part, and for any purpose or other project or work the City desires, all matters contained in or set out in the Contract including all drawings and specifications and all models furnished by the Contractor, and the Contractor agrees that the license granted by this section comprises the copyright, industrial design, trademark and all other intellectual property therein.

11. TIME

11.1 The Contractor will proceed diligently and complete the Work in a good and workmanlike manner and strictly in accordance with the Construction Schedule.

11.2 If the Contractor is delayed in the performance of the Work by any act or neglect of the City, the Construction Schedule will be extended for such time as may be agreed by the City and the Contractor, acting reasonably.

11.3 The Contractor will, as required by the City, provide or up-date the Construction Schedule, showing the anticipated start and completion dates and durations of the major elements of the Work. Failure or refusal to provide a Construction Schedule or up-date will be a default.

11.4 Time is of the essence of the Contract.

12. TAXES AND DUTIES

12.1 The Contractor will pay all taxes, custom duties and other charges relating to the Work, and the supply and installation of all materials and equipment included in the Work.

12.2 Where an exemption of taxes, custom duties or other charges is applicable to the Contract by way of the Contractor filing claims for, or cooperating fully with the City and the proper authorities in seeking to obtain such refunds, the Contractor will make such applications and provide such cooperation. Refunds that are properly due to the City and have been recovered by the Contractor will be promptly refunded to the City.

13. BUILDER'S LIENS

13.1 The Contractor will immediately take steps to keep the Place of Work free of any builder's liens and certificates of pending litigation and the Contractor will defend and indemnify the City from any builder's lien or certificate of pending litigation filed as a result of the Work. The Contractor will pay all costs and expenses including actual legal costs incurred by the City as a result of any builder's lien or certificate of pending litigation related to the Work.

14. CITY DIRECTIONS

14.1 The Contractor will in all respects complete the Work in accordance with the City's requirements and standards and to the satisfaction of the City.

14.2 The City's Representative may at any time and from time to time inspect the Work.

14.3 The Contractor will comply with all directions from the City relating to the coordination of the Work with the activities of the City or with other contractors hired by the City, should there be any.

14.4 The Contractor will have total control of the Work and will be solely responsible for ensuring the Work is in accordance with the requirements of the Contract.

15. INSPECTIONS

15.1 The Contractor will retain one or more independent contractors with the relevant professional education, skill and experience, to carry out and report upon all testing and other inspection activities necessary to confirm the Work is in accordance with the requirements of the Contract. The Contractor will promptly provide copies of such reports to the City's Representative.

15.2 If Work is designated for tests, inspections or approvals by authorized agencies, the Contractor will give the City's Representative reasonable notice of when the Work will be ready for review and inspection.

16. USE OF PLACE OF WORK

- 16.1 The Contractor will confine its tools, machinery, equipment and materials to limits as may be established by the City's Representative, acting reasonably.
- 16.2 The Contractor will maintain the Place of Work in a tidy condition and free from the accumulation of waste products and debris, other than that caused by the City, other contractors or their employees.
- 16.3 Prior to application for the Certificate of Total Performance, the Contractor will remove all surplus products, tools, machinery and equipment, and any waste and debris, and leave the Place of Work clean and suitable for occupancy by the City.
- 16.4 The Contractor will not have exclusive use of the Place of Work, and will undertake the Work in cooperation with the City, and other users of the Place of Work as the City may permit or direct.
- 16.5 The Contractor will protect the property adjacent to the Place of Work from damage and will hold the City harmless from any claims which may arise as a result of the Contractor's operations under the Contract, or from failure to provide such protection, or both.
- 16.6 The Contractor will protect the Work, the Place of Work, the City's property from damage and will be responsible for any damage which may arise as a result of operations under the Contract, except damage which occurs as a result of actions of the City.
- 16.7 Should any damage occur to the Work, the Place of Work, or the City's property, or all of the aforementioned, for which the Contractor is responsible, the Contractor will:
- (a) make good such damage to the Work, and
 - (b) if the City so directs, make good such damage to the City's property,
- and the Construction Schedule will be extended for such time as may be agreed by the City and the Contractor, acting reasonably.
- 16.8 The City may take possession of and use any completed portion of the Work regardless of the time for completion of the Work. Such possession or use will not be construed as final acceptance of the Work or portion.

17. PERSONNEL

- 17.1 Superintendent: The Contractor shall employ a competent senior representative at the Place of Work (the "**Superintendent**") who shall have the responsibility to ensure that the Work is performed in compliance with the Contract Documents. The Contractor shall also employ necessary assistants for the Superintendent and the Superintendent and assistants shall be in attendance at the Place of Work while Work is being performed.
- 17.2 The Superintendent shall represent the Contractor at the Place of Work and instruction given to the Superintendent by the Consultant shall be held to have been given to the Contractor.

- 17.3 If the competence or performance of the Superintendent is not satisfactory to the Consultant then, on written request from the Consultant, the Contractor shall provide a satisfactory replacement. The Contractor shall not change the Superintendent without the consent of the Consultant, such consent not to be unreasonably withheld.
- 17.4 Workers: The Contractor shall maintain good order and discipline among the Contractor's employees and the subcontractors engaged in the Work. The Contractor shall not employ, or permit subcontractors to employ, workers who are not skilled in the assigned task. The Contractor shall employ sufficient workers to perform the Work in compliance with the Construction Schedule.
- 17.15 Compliant with COVID 19 Policy - It is a material term of this Contract that the Contractor, and any personnel and subcontractors performing the Work who (a) will enter City facilities or (b) will be in close physical proximity to City staff outdoors, comply with the City's COVID 19 policy(ies) and requirements, including with respect to Contractor's personnel will be fully vaccinated against COVID-19 and require their personnel to provide proof of vaccination status in a form acceptable to the City prior to beginning work each day on-site. The Contractor will immediately remove any personnel or subcontractors who do not meet, maintain or comply with any such polices and requirements.

The personal information collected will be held in confidence by the City and will be used only to monitor compliance with, and to administer, the City's vaccination policies. The City will collect this personal information under s. 26(c) of the *Freedom of Information and Protection of Privacy Act*.

18. APPLICABLE CODES, REGULATIONS AND POLICIES

- 18.1 The Contractor will perform the Work in full compliance with all applicable federal, provincial and municipal enactments, codes and regulations.
- 18.2 The Contractor shall comply with all applicable policies, procedures and instructions provided by the City.

19. CONTRACTOR'S WARRANTY

- 19.1 The Contractor represents, warrants and guarantees to the City that:
- (a) the Work will, in all respects, be constructed in a good and workmanlike manner;
 - (b) the Work will be constructed in accordance with all applicable laws in effect at the date of the Contract and in accordance with the best current and prevailing industry practices;
 - (c) the Work will be supplied, procured, fabricated, installed, constructed and completed in accordance with all requirements of the Contract;
 - (d) all Work will be free from defects or deficiencies arising from faulty construction, faulty material, faulty equipment, faulty installation or faulty workmanship;
 - (e) the Work as constructed will be fit for the purpose intended;
 - (f) title to all Work and all parts thereof shall be free and clear of all liens, charges, encumbrances and adverse claims whatsoever; and
 - (g) no part of the Work shall constitute an infringement of any patent, trademark, copyright or other proprietary interest.

- 19.2 The Contractor agrees to correct any deficiency in the Work arising from faulty construction, faulty material, faulty equipment, faulty installation or faulty workmanship, which appear:
- (a) in the case of any roof, in the period of five (5) years after Substantial Performance of the Work;
 - (b) for other Work, excluding Work covered by a warranty greater than twelve (12) months, in the period of twelve (12) months after the date of Substantial Performance of the Work; and
 - (c) for other Work in the period of any warranties.
- 19.3 The Contractor shall undertake all repairs or replacements at times that will minimize interference with the City's operations.
- 19.4 Nothing contained herein limits the rights of the City in relation to recovery for latent deficiencies in the Work or otherwise limits the rights of the City at law or in equity.
- 19.5 The Contractor shall not be relieved of its warranty obligations by reason of inspection, testing or acceptance of the Work or any portion thereof, or the issuance of a Certification of Completion, or a Certificate of Total Performance, or payment to the Contractor of any money under the Contract.

20. WAIVERS

- 20.1 The Contractor's application for the Certification of Completion shall constitute a waiver and release by the Contractor of any and all claims arising out of or relating to the Contract to the date of Substantial Performance. This waiver shall include without limitation those that might arise from the negligence or breach of contract by the City, the City's Representative and their respective employees, agents, officers and contractors, but does not include claims made by the Contractor in writing prior to such application in accordance with the provisions of the Contract Documents and delivered to the City's Representative prior to date of Substantial Performance and still unsettled.
- 20.2 The Contractor's application for the Certificate of Total Performance shall constitute a waiver and release by the Contractor of any and all claims arising out of or relating to the Contract that have arisen between the date of Substantial Performance and the date of the Certificate of Total Performance. This waiver shall include those that might arise from the negligence or breach of contract by the City, the City's Representative, and their respective employees, agents, officers and contractors, but does not include claims by the Contractor in writing prior to such application in accordance with the provisions of the Contract Documents and delivered to the City's Representative and still unsettled.

21. SUBSTANTIAL PERFORMANCE

- 21.1 The City or its Consultant will, after receipt of a written application from the Contractor for a Certification of Completion, make an inspection and assessment of the Work and issue a Certification of Completion or if the City decides that Substantial Performance has not been achieved, consult with the Contractor and advise the Contractor of the Work required to achieve Substantial Performance.

21.2 Prior to making application for Substantial Performance of the Work, the Contractor shall submit to the Consultant or City the following:

- (a) letters of assurance for professional design and review from those professionals engaged by the Contractor under the provisions of the Contract, including applicable sealed shop drawings;
- (b) all required manufacturer's inspections, certifications, guarantees, warranties as specified in the Contract Documents;
- (c) all maintenance manuals, operating instructions, maintenance and operating tools, replacement parts or materials as specified in the Contract Documents;
- (d) certificates issued by all permit issuing authorities indicating approval of all installations, work and improvements requiring permits;
- (e) certificates issued by all testing, commissioning, cleaning, inspection authorities and associations as applicable or specified in the Contract Documents; and
- (f) all required record Drawings and as built and as-installed documents in the form specified in the Contract Documents, including the as-built Drawings.

If it is impracticable, with reasonable diligence and attention, for the Contractor to have obtained one or more of the items listed above prior to making application for Substantial Performance of the Work, then delivery of such items may be deferred until the date that is 30 days following Substantial Performance of the Work.

21.3 Together with its request or application for the Certificate of Completion of the Work, the Contractor shall provide to the Consultant and the City the following:

- (a) a sworn declaration in a form acceptable to the Consultant that all amounts relating to the Work, due and owing as of the end of the month covered by the invoice to third parties including all subcontractors and suppliers, have been paid;
- (b) a current clearance letter from Workers' Compensation Board confirming that the Contractor is in good standing with and that all required remittances and assessments have been made to the Workers' Compensation Board;
- (c) a statement compiling and reconciling all Change Orders and Change Directives; and
- (d) any other documents to be submitted by the Contractor as specified in the Contract Documents or reasonably required by the Consultant or the City.

21.4 The City shall pay any builder's lien holdback as required by the *Builders Lien Act*, or on such other date as required by law, but the City may hold back the amounts for any deficiencies or filed builder's liens.

21.5 The City of Surrey's Representative shall be the payment certifier responsible for payment certification for the Contractor under the *Builders Lien Act*. The Contractor shall be the person responsible for payment certification for all subcontractors, including the subcontractors, as required under the *Builders Lien Act*.

22. TOTAL PERFORMANCE

22.1 Before applying for a Certificate of Total Performance, the Contractor will provide to the City the following:

- (a) complete sets of digital drawings and specifications, in reproducible form, showing the as-built Work;
- (b) complete sets of maintenance manuals for any and all equipment comprised in the Work; and
- (c) the results of quality control testing by the Contractor.

22.2 The Contractor may apply for a Certificate of Total Performance and the procedure and requirements for the issuance of the Certificate of Total Performance shall include the provision by the Contractor of the sworn declaration and Workers' Compensation Board compliance documentation.

23. WORKERS' COMPENSATION BOARD AND OCCUPATIONAL HEALTH AND SAFETY

23.1 The Contractor agrees that it shall, at its own expense, procure and carry, or cause to be procured, carried and paid for, full Workers' Compensation Board coverage for itself and all workers, employees, servants and others engaged in the supply of the Goods and Services. The Contractor agrees that the City has the unfettered right to set off the amount of the unpaid premiums and assessments for the Workers' Compensation Board coverage against any monies owing by the City to the Contractor. The City will have the right to withhold payment under this Contract until the Workers' Compensation Board premiums, assessments or penalties in respect of the Goods and Services have been paid in full.

23.2 The Contractor will provide the City with the Contractor's Workers' Compensation Board registration number and a letter from the Workers' Compensation Board confirming that the Contractor is registered in good standing with the Workers' Compensation Board and that all assessments have been paid to the date thereof prior to the City having any obligations to pay monies under this Contract.

23.3 The Contractor agrees that it is the prime contractor for the Work as defined in the *Workers Compensation Act, R.S.B.C. 2019, c.1*, as amended. The Contractor will have a safety program in place that meets the requirements of the Workers' Compensation Board Occupational Health and Safety Regulation and the *Workers Compensation Act*. As prime contractor, the Contractor will be responsible for appointing a qualified coordinator for insuring the health and safety activities for the location of the Services. That person will be the person so identified in Schedule B of this Contract, and the Contractor will advise the City immediately in writing if the name or contact number of the qualified coordinator changes.

23.4 Without limiting the generality of any other indemnities granted by the Contractor in this Contract, the Contractor shall indemnify and save harmless the Indemnitees from and against all claims, demands, causes of action, suits, losses, damages, costs, liabilities, expenses, judgements, penalties and proceedings (including all actual legal costs) which any of the Indemnitees incur, suffer or are put to arising out of or in any way related to unpaid Workers' Compensation Board assessments owing from any person or corporation engaged in the performance of this Contract or arising out of or in any way related to the failure to observe safety rules, regulations and practices of the Workers' Compensation Board, including penalties levied by the Workers' Compensation Board.

23.5 The Contractor will ensure compliance with and conform to all health and safety laws, by-laws or regulations of the Province of British Columbia, including without limitation the *Workers Compensations Act* and Regulations pursuant thereto.

23.6 The City may, on twenty-four (24) hours written notice to the Contractor, install devices or rectify any conditions creating an immediate hazard existing that would be likely to result in injury to any person. However, in no case will the City be responsible to ascertaining or discovering, through inspections or review of the operations of the Contractor or otherwise, any deficiency or immediate hazard.

23.7 The Contractor understands and undertakes to comply with all Workers' Compensation Board Occupational Health and Safety Regulations for hazardous materials and substances, and in particular with the "Workplace Hazardous Materials Information System (WHMIS)" Regulations. All "Material Safety Data Sheets (MSDS)" shall be shipped along with the Goods and any future MSDS updates will be forwarded.

24. INSURANCE

24.1 The Contractor will obtain and carry, in forms and with insurers satisfactory to the City:

- (a) commercial general liability insurance in a wrap up form with a limit of five million (\$5,000,000) dollars inclusive per occurrence for bodily injury, death and damage to property;
- (b) the insurance shall include the Contractor, the City, the project manager, all contractors, subcontractors, suppliers and tradesmen contributing to the Work;
- (c) the insurance shall preclude subrogation claims by the insurer against anyone insured hereunder;
- (d) the insurance shall include coverage for:
 - broad form products and completed operations,
 - City's and contractor's protective liability,
 - contractor's contingent liability,
 - blanket written contractual,
 - contingent employer's liability,
 - personal injury liability,
 - non-owned automobile,
 - cross liability,
 - employees as additional insured's, and
 - broad form property damage;

and where such further risk exists:

- shoring, blasting, excavating, underpinning, demolition, removal, pile-driving and caisson work, work below ground surface, tunnelling and grading, as applicable, and
 - operation of attached machinery.
- (e) product and completed operations liability insurance, to remain in full force and effect for a period of not less than twelve (12) months following completion of the Work;
 - (f) course of construction insurance against "all risks" of physical loss or damage, and shall extend to cover all materials, property, structures and equipment while in transit or storage and during construction, erection, installation and testing, but such insurance shall not include coverage for the Contractor's equipment of any description. Such insurance shall be maintained until Substantial Performance of the Work;

- (g) Automobile Liability insurance on all vehicles owned, operated or licensed in the name of the Contractor in an amount not less than less three million (\$3,000,000 dollars);
- (h) the insurance shall include as an insured, each contractor and subcontractor, project manager, architect and engineer who is engaged in the Work; and
- (i) the insurance will contain a waiver of the insurer's rights of subrogation against all insured except where a loss is deemed to have been caused by or resulting from any error in design or any other professional error or omission.

24.2 The Contractor will provide proof of the required insurance coverage prior to commencing the Work. Such proof will be in the form of a City of Surrey certificate of insurance.

24.3 The Contractor acknowledges that any requirement or advice by the City as to the amount of coverage under any policy of insurance will not constitute a representation by the City that the amount required is adequate and the Contractor acknowledges and agrees that it is solely responsible for obtaining and maintaining policies of insurance in adequate amounts.

24.4 If requested to do so, the Contractor will provide the City with a copy of insurance policies relating to the Work.

25. INDEMNIFICATION

25.1 The Contractor shall indemnify and hold harmless the City, its elected officials, its officers, agents and employees (collectively the "Indemnitees") from and against claims, demands, losses, costs, damages, actions, suits or proceedings by third parties that arise out of, or are attributable to, any act or omission or alleged act or omission of the Contractor, the Contractor's agents, employees or subcontractors or suppliers in performance of the Contract.

25.2 The City shall indemnify and hold harmless the Contractor, its agents and employees from and against claims, demands, losses, costs, damages, actions, suits, or proceedings arising out of or which are attributable to a lack of or defect in title or an alleged lack of or defect in title to the Place of Work.

26. DEFECTIVE WORK

26.1 Work that is defective ("Defective Work"), whether the result of poor design, poor workmanship, use of defective materials or damage through carelessness or other acts, and whether incorporated in the Work or not, which has been rejected by the City as failing to conform to the Contract will be removed promptly by the Contractor and replaced and re-executed promptly and properly at the Contractor's expense.

27. DEFAULT

27.1 If the Contractor:

- (a) is adjudged bankrupt, makes a general assignment for the benefit of creditors, or a receiver is appointed on account of its insolvency;
- (b) fails to supply competent supervision, properly skilled workers or proper materials;
- (c) fails to make prompt payment to its contractors, suppliers or workers;
- (d) fails to observe, or breaches the provisions of the Contract;

- (e) fails to remove and replace Defective Work;
- (f) abandons the Work; or
- (g) fails to adhere to the Construction Schedule;

the Contractor is in default of the Contract and the City may give the Contractor written notice to remedy such default. If the Contractor does not commence correction of such default within five (5) business days of receiving such notice and diligently pursue correction of such default, the City may suspend the Work or terminate the Contract, without prejudice to any other right or remedy the City may have.

- 27.2 The parties agree that if the City terminates the Contract under the conditions set out above, the City shall pay the Contractor:
- (a) for all Work performed, plus reimbursement for expenditures made on account of the remaining Work, but shall not pay for profit and Overhead on account of the remaining Work or any additional costs incurred because of the termination.
- 27.3 If the City terminates the Contract, the City may:
- (a) take possession of the Work and materials, and utilize the Contractor's machinery and equipment at the Place of Work to the extent third party rights are not impaired, and bring the Work to completion by whatever method the City may deem expedient; and
 - (b) upon completion of the Work, charge the Contractor the full cost of completing the Work, as certified by the Consultant, including remedying any deficiencies in the Work.

28. CORRECTION BY CITY

- 28.1 In addition to the right of termination, if the Contractor fails to comply with a provision of the Contract, including failure to remove and replace Defective Work, the City may, without prejudice to any other remedy it may have, correct such default and charge the Contractor the full cost of correcting the default.

29. DISPUTE RESOLUTION

- 29.1 The parties will make reasonable efforts to resolve any dispute, claim, or controversy arising out of this Contract or related to this Contract ("Dispute") using the dispute resolution procedures set out in this section.

Negotiation

The parties will make reasonable efforts to resolve any Dispute by amicable negotiations and will provide frank, candid and timely disclosure of all relevant facts, information and documents to facilitate negotiations.

Mediation

If all or any portion of a Dispute cannot be resolved by good faith negotiations within 30 days, either party may by notice to the other party refer the matter to mediation. Within 7 days of delivery of the notice, the parties will mutually appoint a mediator. If the parties fail to agree on the appointment of the mediator, then either party may apply to the British Columbia International Commercial Arbitration Centre for appointment of a mediator. The

parties will continue to negotiate in good faith to resolve the Dispute with the assistance of the mediator. The place of mediation will be Surrey, British Columbia. Each party will equally bear the costs of the mediator and other out-of-pocket costs, and each party will bear its own costs of participating in the mediation.

Litigation

If within 90 days of the request for mediation the Dispute is not settled, or if the mediator advises that there is no reasonable possibility of the parties reaching a negotiated resolution, then either party may without further notice commence litigation.

30. ASSIGNMENT AND SUBCONTRACTS

- 30.1 The Contractor agrees to preserve and protect the rights of the parties under the Contract with respect to Work to be performed under subcontract and to:
- (a) enter into contracts or written agreements with subcontractors to require them to perform their work in accordance with and subject to the terms and conditions of the Contract Documents; and
 - (b) be as fully responsible to the City for acts and omissions of subcontractors and of persons directly or indirectly employed by them as for acts and omissions of persons directly employed by them. The Contractor agrees that he will incorporate the terms and conditions of the Contract Documents into all subcontract agreements entered into with subcontractors.
- 30.2 The Contractor agrees to employ those subcontractors proposed by in writing and accepted by the City at the signing of the Contract. The Contractor shall not, without the written consent of the City, change a subcontractor who has been engaged in accordance with the Contract.
- 30.3 The City may, for reasonable cause, object to the use of a proposed subcontractor and require the Contractor to employ one of the other subcontract tenderers.
- 30.4 In the event that the City requires a Change from a proposed subcontractor, the Contract Price shall be adjusted by the difference in cost and mark-up occasioned by such required Change.
- 30.5 The Contractor shall not be required to employ as a subcontractor a person or firm to whom he may reasonably object.
- 30.6 The Contractor may, upon reasonable request and at its discretion, provide to a subcontractor information as to the percentage or quantity of the subcontractor's work which has been certified for payment.
- 30.7 Nothing contained in the Contract Documents shall create a contractual relationship between a subcontractor and the City.

31. NOTICES

- 31.1 Any notice, report or other document that either party may be required or may wish to give to the other should be in writing, unless otherwise provided for, and will be deemed to be

validly given to and received by the addressee, if delivered personally, on the date of such personal delivery, if delivered by facsimile, on transmission, or it by mail, five calendar days after posting. The addresses for delivery will be as follows:

(a) The City: City of Surrey – Engineering Operations
13450 – 104 Avenue
Surrey, B.C., Canada, V3T 1V8

Attention: Troy Jeklin
Superintendent

Business Tel.: (604) 590-7245
Business Email: twjeklin@surrey.ca

(b) The Contractor: [Insert full legal name and business address]

Attention: [Insert Contractor contact name]
[Insert title]

Business Fax: <<Insert>>
Business Email: <<Insert>>

(c) The Consultant: To be determined and advised at a later date

32. FORCE MAJEURE

32.1 Each party will be excused from performance under this Contract for any period and to the extent that it is prevented from or delayed in performing any obligations pursuant to this Contract, in whole or in part, by any Force Majeure Event. The affected party may invoke this section by promptly notifying the other party in writing of the nature and estimated duration of the suspension of the party's performance. In such event, the affected party will be excused from further performance of obligations so affected for so long as such Force Majeure Event prevails and such party continues to use its best efforts to recommence performance whenever and to whatever extent possible without delay (except that a party is not required by this Section to compromise its position with respect to or settle any labour dispute in order to satisfy its obligations hereunder). For the avoidance of doubt, nothing in this Section will affect the City's right to terminate this Contract for convenience as provided in Section 27.

32.2 For the purposes of this Contract, "Force Majeure Event" will mean the occurrence of an event or circumstance beyond the reasonable control of a party, provided that (i) the non-performing party is without fault in causing or preventing such occurrence and (ii) such occurrence cannot be circumvented through the use of commercially reasonable alternative sources, workaround plans or other means. Force Majeure Events will include acts of federal, provincial, local or foreign governmental authorities or courts, war or insurrection,

civil commotion, catastrophic events, including without limitation earthquakes, catastrophic weather conditions, pandemics, fires, floods, storms or other elements of nature or acts of God, and labour disturbances that affect the party claiming force majeure.

33. EXTRA WORK

- 33.1 The City may invite the Contractor to perform Extra Work as part of this Contract by issuing a Contemplated Change Order for the Extra Work.
- 33.2 It is a condition of a Contract that the City is not obligated at any time to make a request to the Contractor to perform Extra Work. The City reserves the right to retain the services of other independent contractor(s) or utilize its own employees to perform any Extra Work that is required to be performed and the Contractor and its subcontractors, if any, shall cooperate fully with other independent contractor(s) retained by the City to perform and/or complete any Extra Work and shall so carry on their work that other cooperating contractors shall not be hindered, delayed, or interfered with in the progress of their work, and so that all of such work shall be finished and complete of its kind.
- 33.3 The Contractor is under no obligation to accept an invitation to perform Extra Work and the City is under no obligation to offer work that might be undertaken by the Contractor as Extra Work.
- 33.4 If the City issues a Contemplated Change Order for Extra Work, the Contractor shall promptly either decline the opportunity to perform the Extra Work, or respond with a Quotation.
- 33.5 The City is under no obligation to accept the Contractor's Quotation for Extra Work and may elect to have the Extra Work performed by others.
- 33.6 In no event shall the Contractor proceed with any work that the Contractor intends or expects to be treated as Extra Work without first receiving a written Change Order approving the work as Extra Work.

34. GENERAL

- 34.1 The Contract contains the entire agreement between the City and the Contractor and may not be amended except in writing and signed by both parties.
- 34.2 All schedules and appendices attached to the Contract will be read and construed as forming part of the Contract.
- 34.3 The Contract will be interpreted in accordance with the laws of the Province of British Columbia.
- 34.4 The headings are included in the Contract for convenience only and will not be referred to in interpreting the Contract.
- 34.5 No consent or waiver by either party to or of any breach or default by the other under the Contract will be effective unless in writing, nor will such consent or waiver be relied on as consent to or waiver of any other breach or default of the same or any other obligation.
- 34.6 Each party will, at its own expense, execute and deliver all such further agreements and documents and do such acts and things as may be reasonably required to give effect to the Contract.

IN WITNESS WHEREOF the parties hereto have executed the Contract on the day and year first above written.

CITY OF SURREY

by its authorized signatory(ies):

Insert Name of Person Signing

Insert Name of Person Signing

Insert Title of Person Signing

Insert Title of Person Signing

<<INSERT FULL LEGAL NAME OF CONTRACTOR>>

by its authorized signatory(ies):

Insert Name of Person Signing

Insert Name of Person Signing

Insert Title of Person Signing

Insert Title of Person Signing

SCHEDULE B – APPENDIX 1 SPECIAL PROVISIONS

S.P.1 Definitions

In these Special Provisions, unless the context otherwise requires,

“Section” means section of the Specifications or the Conditions of Contract.

“Item” means item of Fees and Payments – Schedule C – Form of Quotation.

S.P.2 Scope of Work

The scope of Work covered under this project consists of the furnishing of all superintendence, overhead, skilled labour, materials, tools, equipment, insurance, fuel, transportation and all things necessary for and incidental to the satisfactory performance and completion of construction of flood box replacements, located along the Nicomekl and Serpentine Rivers within Surrey, British Columbia (the “Place of Work”) in strict accordance with the Specifications and accompanying Drawings and subject to all terms and conditions of the Contract.

Job site locations shall be at the locations shown on the attached drawing.

The Work consists of but is not necessarily limited to the following:

- Remove and dispose of the existing flood boxes
- Installation of new culverts
- Installation of backfill of the new pipes through the dikes

The detailed scope of work is as described on the Drawings (listed below), Special Provisions (Schedule B – Appendix 1), and Supplementary Specifications (Project) (Schedule B- Appendix 2).

The lack of and/or omission of detailed specifications does not minimize the acceptable levels of service and only the best commercial practices are acceptable.

Contractor to comply with all BC Plumbing Code, BC Fire Marshal, BC Workers’ Compensation Board, National Building Code of Canada, BC Boiler Inspector, BC Electrical Inspector, National Fire Protection Association, and any other authorities having local jurisdiction. Failure to abide by these rules and regulations will result in being immediately escorted from the work site.

S.P.3 Liquidated Damages For Late Completion

If the Contractor fails to meet the Milestone Date for Substantial Performance, or any other specified Milestone Date, as set out in Schedule C - Form of Quotation, as may be

adjusted pursuant to the provisions of the Contract Documents, then the City may deduct from any monies owing to the Contractor for the Work:

- (1) as a genuine pre-estimate for the City's increased costs for the Contract Administrator and their field representative caused by such delay an amount of \$100.00 per calendar day, or pro rata portion, for:
 - a. each day that the Work, or portion of Work, was completed after the specified Milestone Date for that applicable Work, or portion of Work; and
 - b. each day that actual Substantial Performance is achieved after the Substantial Performance Milestone Date; plus.
- (2) all direct out of pocket costs, such as, but not limited to: the City's own staff costs; costs for safety, security, or equipment rental required; and costs for temporary surface restoration and increased temporary maintenance which may be reasonably incurred by the City as direct result of such delay; plus
- (3) any loss to the City of third-party funding which the City was to receive if the Work, or a particular portion thereof, was not completed before a Milestone Date.

If the monies owing to the Contractor are less than the total amount owing by the Contractor to the City under (1), (2) or (3) then any shortfall shall immediately, upon written notice from the City, and upon Substantial Performance, be due and owing by the Contractor to the City.

S.P.4 Consultant

The Consultant, to be determined at a later date, Telephone: TBD Fax: TBD E-mail: TBD, represented by: TBD. will be the City's representative during the performance of the Work until the Work is complete. The Consultant will advise and consult with the City. The City's instruction(s) to the Contractor may be forwarded through the Consultant.

The Consultant may periodically visit the Work site(s) to become familiar with the progress of the Work, the quality of the Work being provided and to determine if the Work is proceeding in accordance with the Contract Documents.

S.P.5 Payment Certifier

The Payment Certifier is City of Surrey, 6651-148 Street, Surrey B.C., V3Z 3C7 Telephone: (604) 590-7245 E-mail: twjeklin@surrey.ca, represented by: Troy Jeklin, Superintendent.

S.P.6 Project Manager

The Project Manager is City of Surrey, 6651-148 Street, Surrey B.C., V3Z 3C7 Telephone: (604) 590-7245 E-mail: twjeklin@surrey.ca, represented by: Troy Jeklin, Superintendent.

S.P.7 Schedule of Quantities and Prices

This Contract is a combination of unit prices and lump sums.

Any Work item that is not implicitly described, or inferred, as being included in any regular item or optional item in the Schedule of Prices shall be included in the lump sum price proposed for 'Miscellaneous Work'.

For unit price items, the number of units for each item (i.e., quantities) as listed in the Schedule of Prices has been estimated. Actual quantities will vary. Payment will be made based on the measurement of the actual quantity of Work incorporated into the Contract.

The unit prices for each item will be applicable regardless of the variation in the actual quantity as compared to the estimated quantity. No adjustment to the unit price will be considered as a result of such variation.

Flood box US-16950-R at 8603-176 Street, US-17230-R at 17280-88 Avenue, US-15542-R at 8352-176 Street, MS-12942-L at 7337- 176 Street, and LN-5727-R at 4610-160 Street (Optional Installation).

S.P.8 Coordination

The Contractor will be responsible for coordinating with other contractors City forces, outside agencies and others as required throughout the Contract. While it is not an all-inclusive list of potential coordination requirements, the following list of known activities that the Contractor should be aware of when planning for coordination:

Other contractors

The Contractor will be required to coordinate their schedule and work program with the following construction activities, which will be tendered to other contractors by the City and will be construction concurrent with the Contract.

“NONE”

S.P.9 Availability of Place of Work

The Place of Work is available for the immediate commencement of the Work. The anticipated start date is May 29, 2023. The Contractor will schedule the Work accordingly.

S.P.10 Quality Assurance

The Work shall be performed by a Contractor experienced in replacements of flood boxes of a similar nature and scope. Subject to approval of the City, the Contractor may subcontract any work to be performed under this Contract. However, the election to subcontract work shall not relieve the Contractor from responsibility or liability which it has assumed under this Contract and the Contractor shall remain liable to the same extent that its liability would attach, as if the Work had been performed by the Contractor's own employees.

All materials and hardware to be supplied by the Contractor, which are not specifically described herein, shall be of suitable construction, composition and quality to achieve their intended function.

S.P.11 Job Conditions

The Contractor shall be familiar with the project location and how the existing conditions will affect their work. This is so that no misunderstanding may arise afterwards as to the character or as to the extent of the work to be done; likewise, in order to advise and acquaint themselves with all precautions to be taken in order to avoid injury to person or property of another. No additional compensation will be granted because of any unusual difficulties or City's special requests that may be encountered in the execution of any portion of the work.

S.P.12 Environmental Protection

The Contractor warrants that it will not produce or discharge in any manner or form, directly or indirectly, chemicals or toxic substances into the environment and that all equipment used will not pose a hazard to, or harm or adversely affect anyone coming into contact with it and covenants and agrees to provide the City with an environmental plan (where applicable), acceptable to the City, which plan shall outline the procedures to be followed by the Contractor to prevent the production or discharge of chemicals or toxic substances into the environment and the actions to be taken should the discharge occur.

The Contractor will be responsible to take all necessary measures to comply with the requirements of the Federal and Provincial environmental protection agencies, City by-laws, the *Waste Management Act*, R.S.B.C. 1996, c. 482, as amended and any other applicable acts and regulations in respect to air, earth and water pollutants.

The Contractor will report to the City immediately if any hazardous or toxic materials are found or discovered. Such materials are to be left untouched and the area is to be marked and cordoned off to prevent any access to the workers and the public.

The Contractor will be responsible to establish and submit a waste disposal plan to the City for review prior to commencing the Work.

S.P.13 Safety

The Contractor shall be solely responsible for construction safety at the Place of Work as and to the extent required by applicable construction safety legislation, regulations and codes, including *Workers Compensation Act* and applicable regulations, and by good construction practice.

Safety – Fall Protection - The Contractor and any trade contractor shall include for all fall protection equipment and requirements necessary to complete scope of Work in a safe manner and in compliance with the site safety plan, which includes: Fall protection must be worn when working at a height over 6 ft. or as the hazards present necessity.

Safety – On-Site Hazards and Utilities Present – Before commencing any Work at the Place of Work, the Contractor is to make themselves aware of any and all on-site hazards including but not limited to underground and overhead utilities near to the Work area and to take every precaution necessary to eliminate any risk that may exist. If an on-site hazard exists that is causing or may cause injury to any person(s), the Contractor is to take immediate action to mitigate risk and damage, and then notify the City and the City's consultant (if any).

S.P.14 Traffic Management

The Contractor shall comply with all the requirements of applicable laws, rules, regulations, codes and orders of the City and other appropriate authorities concerned with work on streets or highways and shall post proper notices and/or signals, and provide necessary barriers, guards, lights, flagmen or watchmen as may be necessary for proper maintenance of traffic and protection of persons and property from injury or damage. All costs involved in respect to the above requirements will be deemed to be included in the Total Quotation Price.

S.P.15 Construction Access and Traffic Maintenance

The designated access to and from the construction site must be approved by the City. All construction traffic must use the designated access including heavy equipment, trucks and workers' personal vehicles.

Construction access to the Place of Work areas within existing building for workers and delivery of materials shall be designated by the City. No other existing exits or entrances shall be used by workers for access or for delivery of materials.

The Contractor shall conduct construction operations with minimum interference to adjacent roadways, sidewalks and access facilities in general and shall keep such areas free from materials, debris and equipment at all times. The Contractor shall not close or obstruct existing roadways, sidewalks, parking areas or delivery points and shall not place or store materials or park cars on same.

The Contractor shall cooperate in all ways with the City in all matters concerning necessary interference with normal operation of the Place of Work. Minimizing disruption of normal facility/site operation and vehicular movements at the Place of Work is an essential requirement of the Contract.

The Contractor shall:

- (a) Include project phasing strategies in the Construction Schedule to minimize traffic disruption on the Place of Work.
- (b) Should provide one (1) week minimum notice to the City, previous to any disruption or alteration of access to the Place of Work. The Contractor shall provide all signs, pylons and flag persons necessary to direct vehicular traffic around work in progress.
- (c) The Contractor shall maintain access to existing fire hydrants and Siamese connections and shall keep entrances and exits to existing and adjacent buildings clear at all times.

S.P.16 Proposed Substitutions

Acceptance of material specifications that are an equal or higher level of quality compared to the material specified will not be unreasonably withheld. Quotations for equipment substitutions to be made as separate line items and as additive or deductive alternates to the base equipment bid.

Evaluation of the substitutions to be made solely by the City whose decision shall be final.

S.P.17 Manuals

Installation and Operator's manuals should accompany equipment delivered. Electrical, mechanical, and plumbing booklets should be provided to the City, as per the specifications.

All manual(s) should be furnished prior to payment and delivered to the City. Failure to deliver all manual(s) that are ordered may result in non-payment until all manual(s) are received.

S.P.18 Hours of Work

Refer to the City of Surrey applicable bylaws for acceptable work hours.

No work is to be performed outside of these acceptable work hours without written approval from the City, and with approval by obtaining a noise variance if required.

All work shall conform to local bylaws, including building and parking bylaws and municipal guidelines and regulations. This includes Building Bylaws and Noise Restrictions, which will apply to all work being completed. Where work or the work schedule does not permit compliance with the Bylaws, the Contractor shall request permission from the City for special exemptions from the bylaws. No extra compensation, in any form (e.g., overtime, etc.) will be given without prior written approval from the City.

S.P.19 Damage

The Contractor will be responsible for any and all damages to property or persons and for any losses or costs to repair or remedy the Works as a result of any negligent act or omission, or misconduct in the performance of the Works and its subcontractor's Work and shall indemnify and hold harmless the City, its officers, agents and employees from all suits, claims, actions or damages of any nature whatsoever resulting therefrom unless such loss, damage, injury or loss results from or arises out of the error, omission and/or negligent acts of the City, or its officers, for subsequent correction of any such error, omission and/or negligent acts or of its liability for loss or damage resulting therefrom. Except as to professional liability, these indemnities shall not be limited by the listing of any insurance coverage.

S.P.20 Worksite Conduct

All labourers and workers, while working in and around the flood box locations, and the City facilities, shall act in a professional manner. The Contractor is to enforce proper discipline and decorum among all labourers and workers on the worksite and is to control, among other things: 1) noise, including music; 2) the use of offensive language; 3) smoking or drinking of alcoholic beverages on the worksite; 4) physical violence; 5) riding in the passenger elevators; 6) thievery; and 7) the transportation of articles or materials deemed hazardous. If the City determines, in its sole discretion, that any labourer need to be removed due to his or her failure to comply with the terms of this provision, the Contractor will remove such labourers from the worksite immediately.

Alcohol and drugs are not tolerated on this site at any time including anyone deemed to be under the influence shall be escorted off site.

S.P.21 Cleanliness and Disposal of Unwanted Materials

Continuous daily clean up of the work areas shall be performed by the Contractor and trade contractor throughout the performance of the Work and will be undertaken in accordance with the Contractor's waste management plan. Clean up of waste products and debris generated by the Contractor and any trade contractor outside of the building and on the site shall be the responsibility of the Contractor. Should the City be required to clean up the work of the Contractor or trade contractor the cost of such clean up will be recovered from the Contractor.

The Contractor is to dispose of all debris, trash and unsuitable materials collected under this Contract off site. The Contractor is solely responsible for any and all damages done, or regulations violated in the disposal of waste materials and for any other actions, which the Contractor performs.

The Contractor warrants that it will produce or discharge in any manner or form, directly or indirectly, chemicals or toxic substances into the environment and that all equipment used will not pose a hazard to, or harm or adversely affect anyone coming into contact with it and covenants and agrees to provide the City with an environmental plan (where applicable), acceptance to the City, which plan shall outline the procedures to be followed by the Contractor to prevent the production or discharge of chemicals or toxic substances into the environment and the actions to be taken should the discharge occur.

The Contractor is responsible to take all necessary measures to comply with the requirements of the Federal and Provincial environmental protection agencies, City by-laws, the *Waste Management Act*, R.S.B.C. 1996, c. 482, as amended and any other applicable acts and regulations in respect to air, earth and water pollutants.

S.P.22 Accidents; Equipment Safety

Any and all accidents, regardless of how minor, involving another person, private property, or vehicle, shall be reported immediately to the Surrey R.C.M.P. and a report requested. The City shall also be contacted immediately and be provided a copy of any reports.

The Contractor shall assume all responsibility for damages to property or injuries to persons, including accidental death, attorneys fee and costs of defense which may be caused by Contractor's performance of this Contract, whether such performance be by itself, its subcontractor, or anyone directly or indirectly employed by Contractor or its subcontractors and whether such damage shall accrue or be discovered before or after termination of this Contract.

The Contractor's equipment operators shall maintain good safety and driving records, and use extreme caution during the performance of the Work.

S.P.23 Permits and Fees

The Contractor is to secure and pay for any additional permits, and governmental fees, licenses and inspection necessary for proper execution and completion of the Work which

is customarily secured after execution of an agreement and which is legally required. The Contractor is to comply with and give notices required by laws applicable to performance of the Work.

S.P.24 Final Completion and Payment

When the Work is finally complete and the Contractor is ready for a final inspection, the Contractor is to notify the City and the Consultant, in writing. Thereupon, the Consultant will perform a final inspection of the Work. If the Consultant confirms that the project is complete including all deficiencies, is in full accordance with this Contract and the Contractor has performed all of its obligations, is hereby entitled to submit for final payment, subject to the *Builders Lien Act*.

S.P.25 Workmanship

- (a) General: Workmanship shall be of best quality, executed by workers experienced and skilled in respective duties for which they are employed. Do not employ any unfit person or anyone unskilled in their respective duties. The City reserves the right to dismiss for site, workers deemed incompetent, careless, insubordinate or otherwise objectionable. Decisions as to quality of fitness of workmanship in cases of dispute rest solely with the City, whose decision shall be final.
- (b) Coordination: Ensure cooperation of workers in laying out work. Maintain efficient and continuous supervision.
- (c) Protection of Work in progress: The Contractor is to adequately protect Work completed or in progress. Work damaged or defaced due to failure in providing such protection is to be removed and replaced, or repaired, as directed by the City at no cost to the City.

Should any dispute arise regarding the quality of the workmanship, materials or products used in the performance of the Work, the final decision regarding the acceptable quality of the workmanship, and fitness of the materials and products rests strictly with the City.

Additionally, all Works required hereunder will be performed as promptly as possible, and in any event within the time stated by the City, and such Work will be subject to approval and acceptance of the City, but such approval and acceptance will not relieve the Contractor from the obligation to correct any incomplete, inaccurate or defective work, all of which shall be promptly remedied by the Contractor on demand, without cost to the City.

END OF PAGE

**SCHEDULE B - APPENDIX 2
SUPPLEMENTARY SPECIFICATIONS – 2023 FLOOD BOX REPLACEMENT**

TABLE OF CONTENTS

| | | | |
|--------|--------------------------------------|--------|---|
| SSP.1 | Scope of Work | SSP.14 | Weigh Ticket Control |
| SSP.2 | Description of Work | SSP.15 | Flood Box Installations |
| SSP.3 | Limits of Site | SSP.16 | Clearing, Topsoil Stripping and Topsoil Stockpiling |
| SSP.4 | Pre-Construction Meeting | | |
| SSP.5 | Construction Survey Layout | SSP.17 | Site Access |
| SSP.6 | Dump Site | SSP.18 | Dyke Failure Protocol |
| SSP.7 | Traffic Management Plan | | |
| SSP.8 | Coordination | | |
| SSP.9 | Environmental Protection | | |
| SSP.10 | Protection of Existing Features | | |
| SSP.11 | Overtime Work | | |
| SSP.12 | Dust Control | | |
| SSP.13 | Tree Removal / Relocating / Trimming | | |

SERVICES PURSUANT TO GENERAL CONDITIONS

The Contractor is required but is not limited to, as part of his obligation under the Quotation, to perform the various services and activities described in the General Conditions and the Supplementary Specifications (Project) SSP 1 to SSP 18 hereunder.

SSP.1 Scope of Work

1. The contract consists of providing all labor, equipment, and additional materials to perform all work necessary to replace or abandon a number of flood boxes along the Serpentine and the Nicomekl Rivers. All the construction shall be in accordance with the enclosed specifications. The work shall consist of, but not necessarily be limited to, performing the following tasks where specified:
 - Remove and dispose of the existing flood boxes
 - Installation of new culverts
 - Installation of backfill of the new pipes through the dikes
2. The City of Surrey will supply the following materials, any additional construction materials required are to be supplied by the contractor:
 - Pipes
 - Headwalls
 - Flap Gates
 - Handrails
 - Timber Piles
 - 75 mm x 300 mm Treated Timber Boards and screws
 - Stainless Steel Cable
 - Non-Woven Geotextile
 - Geogrid
 - Rip Rap
 - 25 mm Clear Crush
 - Sand
 - Bentonite
 - Rubber Headwall Connector
3. The area of work to be performed shall be at the locations shown on the attached drawing.

The Contractor is advised to review the supplementary specifications in detail as there are requirements for the various items of work.

SSP.2 Description of Work

This Contract includes the work, as shown on the Contract Drawings.

All flood box installations will be constructed in accordance with the Contract Drawings C.100, C1.01 and C.102.

Remove and dispose offsite of the existing flood boxes including the existing piles, pipes, headwalls, or flap gates. The existing flood boxes have corroded and are in need of replacement. All the material is to be appropriately disposed offsite.

Flood Boxes are to be backfilled with in situ material compacted to the specifications included in the design drawings.

Any other related works may be required on an as needed basis.

SSP.3 Limits of Site

The Site is primarily limited to City right-of-ways, however, some work may be completed on private property as directed by the Contract Administrator.

SSP.4 Pre-Construction Meeting

Prior to start of construction, a pre-construction meeting shall be scheduled to review the proposed works; the Contractor's proposed method of construction; the project timing; the project schedule; and emergency contacts. The meeting is to be arranged once the Contractor has supplied the Engineer with an updated project schedule.

SSP.5 Construction Survey Layout

Construction survey layout will be provided by the City. The Contractor shall be responsible for coordinating survey layout with construction works to ensure that offset stakes do not conflict with construction.

The City shall provide survey control at each project location consisting of two horizontal control monuments tied to Surrey's coordinate reference system (UTM Ground) and one elevation benchmark.

The payment for all required layout is considered to be incidental to the unit costs of the various components of the project. No additional payment will be made for this item.

SSP.6 Dump Sites

All debris that is removed under this contract shall be disposed of by the Contractor to an approved off-site disposal area with the exception of the flap gate or other material identified by the City representative. This cost is considered to be incidental to the unit costs of the various components of the project. No additional payment will be made for this item.

SSP.7 Traffic Management Plan

A Traffic Management Plan shall be submitted to the Contract Administrator and City prior to performance of work when working within City roadways. The cost for this is considered to be incidental to the unit costs of the various components of the project. No additional payment will be made for this item.

SSP.8 Coordination

The Contractor shall be responsible for coordination of this work with other Contractors, sub-Contractors, environmental approving authorities, and or utility companies that may affect his work. There shall be no extra payment for delays caused by conflicts in site coordination.

SSP.9 Environmental Protection

The Contractor shall comply with all requirements of the Federal Ministry of Fisheries and Oceans, and the Provincial Ministry of Forests, Lands and Natural Resource Operations as specified in the provincial Standards and Best Practices for Instream Works.

The Work under this Contract is subject to the application of appropriate Best Management Practices as outlined in the Ministry of Forests, Lands and Natural Resource Operations' Standards and Best Practices for Instream Works. Compliance with such requirements within the Special Provisions will be the responsibility of the Contractor, the cost of which will be assumed to be included in the tendered unit prices for the works.

All in-stream works undertaken under this Contract will be monitored by the Engineer and an environmental consultant reporting to the Engineer. The Contractor shall obtain the approval of the Engineer prior to starting work in or adjacent to any streams and shall complete the works to the satisfaction of the Engineer.

The Serpentine and the Nicomekl Rivers are fish-bearing watercourses and the Contractor shall comply with all the requirements of the Federal Ministry of Fisheries and Oceans, and the Provincial Ministry of Forests, Lands and Natural Resource Operations. Works in the vicinity of the River dike, river channel and tributaries is subject to Ministry of Forests, Lands and Natural Resource Operations construction restrictions. The work has been approved in principle; however, a final Ministry of Forests, Lands and Natural Resource Operations is not anticipated.

i) Regulations

The Contractor shall comply with all federal and provincial regulations so that construction work does not adversely affect the environment of fish-bearing streams, rivers, lakes and other bodies of water within the scope of, or downstream from, this Contract.

Sections 28, 20, 30, 31 and 36 of the Federal *Fisheries Act* and Section 34 of Bill C38 which emphasize habitat concerns is available from Fisheries offices and the Contractor is advised to familiarize himself with this document.

ii) Plan and Schedule

Minimization of environmental damage shall be achieved by ensuring that construction operations are carefully planned and scheduled. The Contractor shall familiarize himself with and identify those areas which are presently environmentally sensitive and related

potential problems, and shall prepare a plan of operations, a construction schedule, and outline of work methods accordingly.

The Contractor shall make these plans and schedules available to the Engineer at least one week in advance of commencement of the works, and shall not proceed with the work unless authorized by the Engineer. The Contractor shall notify the Environmental Consultant a minimum of five working days in advance of commencing any work within the wetted perimeter of any watercourses.

iii) Water Quality

Machinery and equipment shall not be operated within the wetted perimeter of any stream, lake or other body of water within the scope of this Contract without the consent of the Engineer.

All work under this Contract shall be undertaken in a manner which will avoid deposit of any water-borne silts of any stream, river, lake or other body of water that would be harmful to aquatic organisms. The Contractor is responsible to ensure that siltation or the introduction of any other deleterious materials to watercourses does not occur.

No bark, slash, wood chips, sawdust, organic debris, soil, gas, diesel fuel, oil, grease, ashes or other substances deleterious to aquatic life shall be allowed to enter any stream, lake or other body of water.

There shall be no obstruction placed in any watercourses during the clearing and grubbing operations. However, should any material be inadvertently placed in the normal high water wetted perimeter of such watercourse, the Engineer shall be notified immediately and the material removed as directed by the Engineer.

The Contractor shall use whatever means are necessary to protect the water quality of downstream watercourses, including silt fences, gravel check dams, filter cloth, settlement ponds, pumping, or other means as appropriate.

The cost to protect the environment is considered to be incidental to the unit costs of the various components of the project. No additional payment will be made for this item.

Servicing or fuelling of machinery in or immediately adjacent to any stream or body of water will not be permitted. Servicing or fuelling of machinery shall be carried out by the Contractor at a location away from streams and other bodies of water. This location shall have spill containment capabilities to avoid pollution with gas, diesel fuel, oil grease, filters or other disposable material.

Fuel spills will not be permitted and in this regard care should be taken to avoid overfilling machines. Automatic shut-off nozzles shall be installed on all dispensing units. The Contractor shall have proper equipment to transport fuel so that spillage will not occur. The Contractor shall have oil spill abatement equipment on the project satisfactory to the Engineer.

When working near any stream, lake or other body of water, the Contractor shall ensure that all hydraulic systems, fuel systems and lubricating systems are in good repair to avoid leakage of petroleum products.

Petroleum products shall be stored in a special location where spillage can be safely contained without contamination of the surrounding area. Storage of petroleum products will not be permitted in the vicinity of streams or other bodies of water.

All requirements of environmental provisions shall be considered incidental to the prices bid for the work under this Contract and no additional compensation will be made.

iv) Siltation Control

Siltation control works shall be installed at various locations to contain silt and other deleterious material from entering storm sewers, open ditches and/or creeks. The Contractor shall comply with the City of Surrey, Ministry of Forests, Lands and Natural Resource Operations, and Department of Fisheries and Oceans requirements for on-site siltation control. Where directed by the Engineer, the environmental subconsultant, representatives from BCMFLNRO/DFO and/or the City of Surrey, the Contractor may be required to construct additional siltation control works to ensure adequate siltation control is maintained. This may include additional fencing, sandbagging, and/or gravel check dams. No separate or additional payment will be made for these works.

SSP.10 Protection of Existing Features

The Contractor shall protect existing features such as landscaping, trees and fencing from damage. In the event that such features are disturbed, the Contractor shall reinstate the disturbed features to their original or better conditions and to the satisfaction of the owner of the features.

SSP.11 Overtime Work

The Contractor shall not schedule the construction work to require inspection beyond the standard 40-hour working week.

Extended hours beyond the normal 8 hours on working days will be permitted upon approval of the Engineer for operations that must be reasonably completed on that day. He shall also be charged for the overtime portion of inspection costs. Such costs shall be deducted from monthly progress payments.

On the infrequent occasion that the Contractor finds it is necessary to work on Saturday, Sunday or holidays which are observed by the construction industry in British Columbia, he shall obtain the Engineer's approval 48 hours in advance. The Contractor shall also be charged for the overtime portion of inspection costs. Such costs shall be deducted from monthly progress payments.

SSP.12 Dust Control

Dust shall be controlled by the Contractor at all times for the duration of the Contract. The application of used oil or "cut back" bitumen products will not be permitted. Aqueous magnesium chloride or calcium chloride may be used provided the application

is not in an environmentally harmful manner. The use of lignosulphonates will also be permitted providing the following conditions are met:

- a) Application shall not be on slopes where precipitation may cause the lignosulphonates to drain into watercourses
- b) A buffer strip of 10 m on either side of the watercourse shall be free from lignosulphonates application.
- c) No application in residential areas when the air temperature exceeds 26°C.
- d) No application when rain is imminent as a minimum drying time of six hours is required.

If the Contractor fails to control the dust levels on the construction site, at the stockpile site, and at adjacent areas, the City will complete the works deemed necessary at the Contractor's expense.

SSP.13 Tree Removal / Relocating / Trimming

At various locations, tree or bush removal / relocating and or trimming may be required to facilitate construction. The cost for this is considered to be incidental to the unit costs of the various components of the project. No additional payment will be made for this item.

The Contractor shall consult with the Engineer or his representative prior to any tree removal, relocating or trimming works commence.

SSP.14 Weigh Ticket Control

For items that are measured by weight, the Contractor shall:

- Submit the weigh tickets to the City's representative immediately prior to placement of material in the works,
- Coordinate his work so that no more than two City's representatives are required to collect and check the weigh tickets at any one time, and
- Arrange weigh tickets to be collected and verified at specific locations on the site as agreed by the City's representative.

The City's representative can refuse approval of tickets received after the day of placement. Payment is only for the material completely incorporated into the works as witnessed by the Engineer's representative.

If the Contractor fails to meet any of these conditions, the City's representative has the right to refuse approval of any weigh tickets presented.

SSP.15 Flood Box Installations

Flood Box Installations, of the Schedule of Quantities.

The City will deliver all the materials to the **approximate** location of the flood box. The Contractor will be required to move each component to the final flood box location.

The Contractor is to remove and dispose offsite of the existing flood boxes, including existing piles, pipes, or headwalls. The existing flood boxes have corroded and are in need of replacement. All the material is to be appropriately disposed of offsite.

As part of this installation, the contractor will be responsible for the excavation, backfill, and compaction of the in situ material.

The unit prices tendered for the construction of new flood boxes include all costs associated with the installation and labour of the flood boxes including excavation, removal of the existing drainage structures, backfill, compaction, hydroseeding, rip rap, and pipe installation as specified on the contract drawings. Dewatering, sediment control and the installation of sheet piles shall be incidental to the tendered unit price.

SSP.16 Clearing, Topsoil Stripping and Topsoil Stockpiling

Clearing, Topsoil Stripping and Topsoil Stockpiling shall include all materials, works, equipment and labour to complete the clearing, mass excavation, topsoil stripping, the complete removal of all organic material and vegetation and the stockpiling of the topsoil along the area of dyke construction, and the maintenance of the topsoil stockpiles. All vegetation shall be removed from the area on which the new flood box will be constructed and disposed onsite.

Payment for the clearing and topsoil stripping shall be incidental to the contract pay items.

SSP.17 Site Access

The Contractor shall be responsible for establishing temporary haul roads to the dyke sections. No additional payment shall be made for the construction and maintenance of these temporary haul roads and be considered as incidental to the project. The Contractor shall be responsible for the placement, compaction and grading of suitable material on the temporary haul roads to maintain the roads in a safe and operable condition. The Contractor shall be required to maintain the temporary haul roads to minimize construction traffic delays through the site. Such maintenance shall continue until the end of this Contract and at that time, the Contractor shall remove all materials used to establish the temporary haul roads to their original or better condition to the satisfaction of the Engineer and adjacent property owners.

The Contractor shall maintain all haul roads along the dykes and all haul roads to the dykes at all times during construction. The Contractor shall insure the haul routes along the dykes and to the dykes are well graded with proper drainage.

The Contractor shall ensure that his operations are carried out within the right-of-ways and working areas provided. The adjacent agricultural fields are not to be adversely impacted by the construction and operation of the temporary haul roads. The Contractor shall promptly reinstate any damage resulting from construction activity to adjacent agricultural lands and operations, at his own expense. The temporary haul roads will be removed at the end of construction activity and properly disposed.

SSP.18 Dyke Failure Protocol

This protocol is to be used in the event a section of new dyke fills fail into the river. It is stressed that the plans developed to date will minimize the risk of failure and the field effort to monitor the work should reduce the potential of failure. However, in the event a failure occurs, the following is the required protocol that would be followed by all personnel on site.

The Engineer will be responsible to manage this protocol. He may ask the geotechnical engineer to lead the effort.

The proposed protocol is as follows:

- The failure will be reported to the “Engineer” as soon as it is observed or noted.
- The Contractor’s supervisor on site will stop all traffic on the dyke at the failure location and will assess the damage. The failure area will be blocked off to all site traffic. If there is a concern regarding danger to personnel, then access will be maintained until the immediate danger is addressed.
- The Environmental Monitor for the project will be informed and a meeting with the environmental monitor will be scheduled for as soon as practical.
- The following people will be informed within 4 hours of the discovery of the failure:
 1. Project Engineer or Manager for Consultant (TBD);
 2. Project Engineer for the City of Surrey;
 3. Local contact for the Ministry of the Environment British Columbia;
 4. Local contact for the Department of Fish and Oceans.
- The Engineer once on site, will obtain as much information about the failure as practical;
 - accounts from the drivers,
 - site monitors and,
 - others who have been on site and in the area of the failure in the last 48 hours.
- The Engineer or his representative or the geotechnical site engineer will obtain photographs of the failure and will measure and document the area of the failure (before the end of the shift or the next morning).
- Site representatives (Engineer, Geotechnical monitor and contractor’s supervisor) will prepare short summary notes for their respective supervisors within 24 hours.
- Project Managers for Consultant (TBD), the City of Surrey and the Contractor will meet to discuss the events. The Engineer or the assigned “Failure Manager” for the failure will prepare a short summary memorandum to include copies of the appropriate field notes from the site for the previous two days and an agreed to short strategy for the cleanup, as needed:
 - Cleanup to be staged to get the area to stable status (remove any equipment in failure area and regrade to assure no flooding – a minimum of grading).
 - Start program for remainder of clean up.
- The “Failure Manager” will prepare a technical. This is to be submitted to the Project Coordinator and the Project Manager for the City of Surrey within 7 days.
- Geotechnical monitor to inspect failure section at 48 hours, 72 hours, 1 week, 2 weeks, 4 weeks, 8 weeks and 12 weeks. A short summary note with long term plan to continue work and / or continue monitoring to be submitted at 8 weeks.

- The Engineer to submit a final memo after 12 weeks to “Project Coordinator” and the Project Engineer for the City.

- **End of Page** -

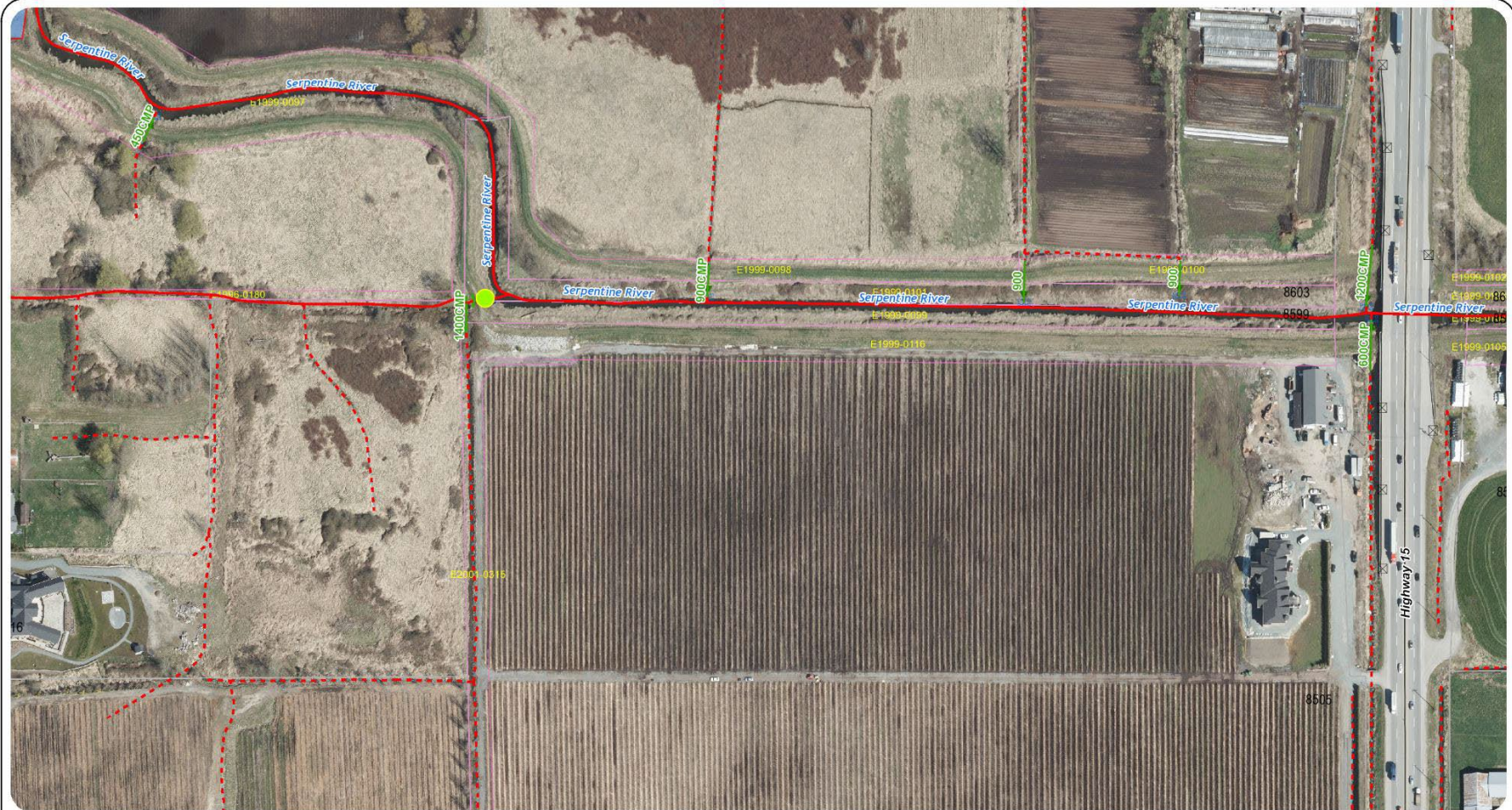
SCHEDULE B - APPENDIX 2-A CONTRACT DRAWINGS - (PROJECT)

DRAWINGS ARE ATTACHED AS PDF DOCUMENTS ALONG WITH THIS RFQ.

| DRAWING NUMBER - SPECIFICATION | DRAWING INDEX/TITLE | DATE OF ISSUE |
|--------------------------------|------------------------|---------------|
| G-1.00 | US-16950-R | December 2023 |
| G-2.00 | US-17230-R | December 2023 |
| G-3.00 | US-15542-R | December 2023 |
| G-4.00 | MS-12942-L | December 2023 |
| G-5.00 | LN-5727-R (Optional) | December 2023 |
| C-1.00 | Flood Box Installation | December 2019 |
| C-1.01 | Flood Box Installation | December 2019 |
| C-1.02 | Flood Box Installation | December 2019 |



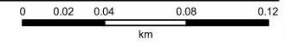
Annual Floodbox Replacement Program



US-16950-R

Scale: 1:2,000

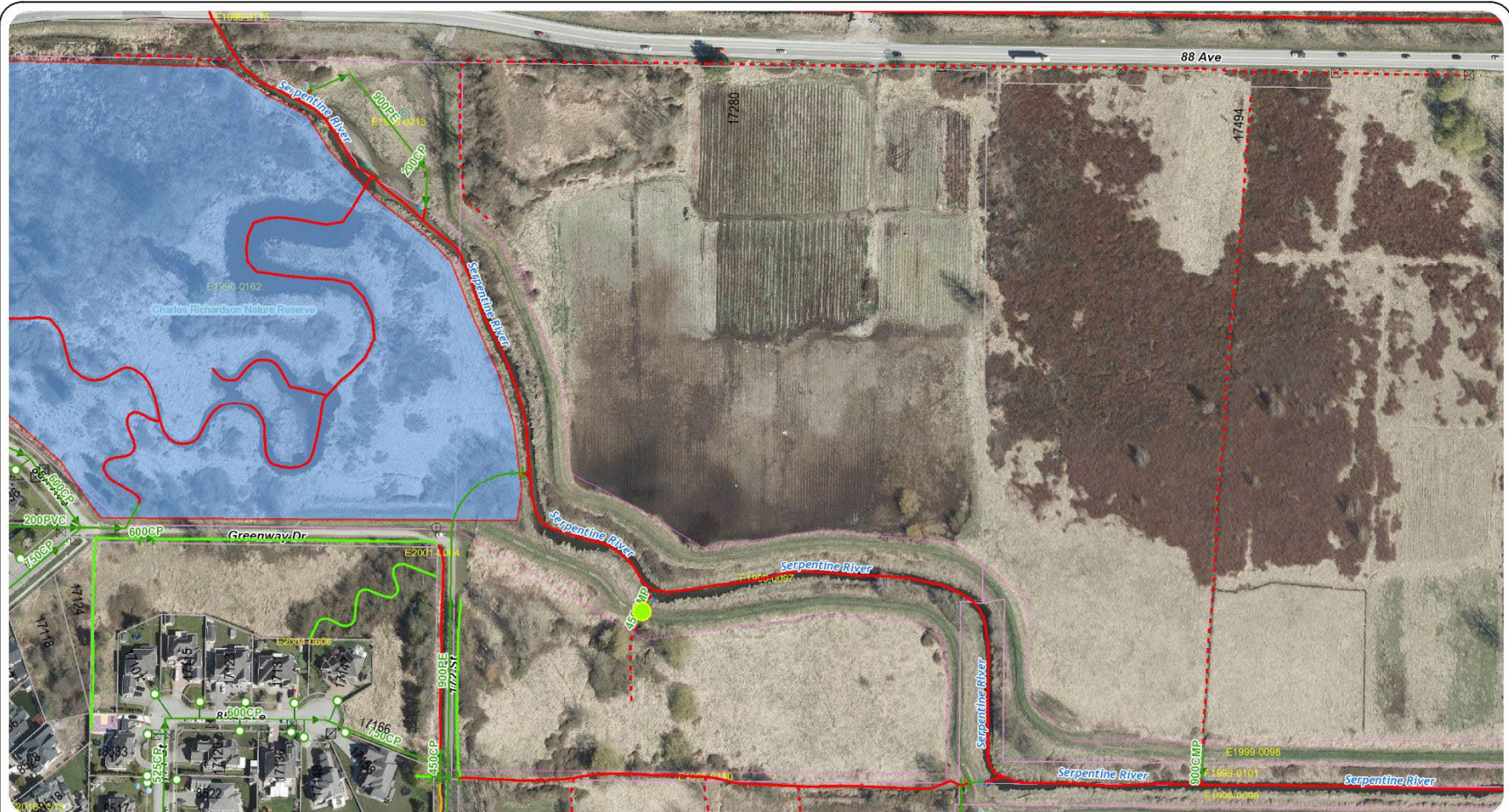
The data provided is compiled from various sources and is NOT warranted as to its accuracy or sufficiency by the City of Surrey. This information is provided for information and convenience purposes only. Lot sizes, legal descriptions and encumbrances must be confirmed at the Land Title Office. Use and distribution of this map is subject to all copyright and disclaimer notices at cosmos.surrey.ca



Map created on: 2022-11-28



Annual Floodbox Replacement Program





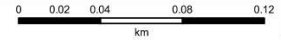
Annual Floodbox Replacement Program



US-15542-R

Scale: 1:2,000

The data provided is compiled from various sources and is NOT warranted as to its accuracy or sufficiency by the City of Surrey. This information is provided for information and convenience purposes only. Lot sizes, legal descriptions and encumbrances must be confirmed at the Land Title Office. Use and distribution of this map is subject to all copyright and disclaimer notices at cosmos.surrey.ca



Map created on: 2022-11-28



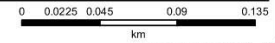
Annual Floodbox Replacement Program



MS-12942-L

Scale: 1:2,365

The data provided is compiled from various sources and is NOT warranted as to its accuracy or sufficiency by the City of Surrey. This information is provided for information and convenience purposes only. Lot sizes, legal descriptions and encumbrances must be confirmed at the Land Title Office. Use and distribution of this map is subject to all copyright and disclaimer notices at cosmos.surrey.ca



Map created on: 2022-11-28



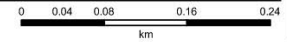
Annual Floodbox Replacement Program



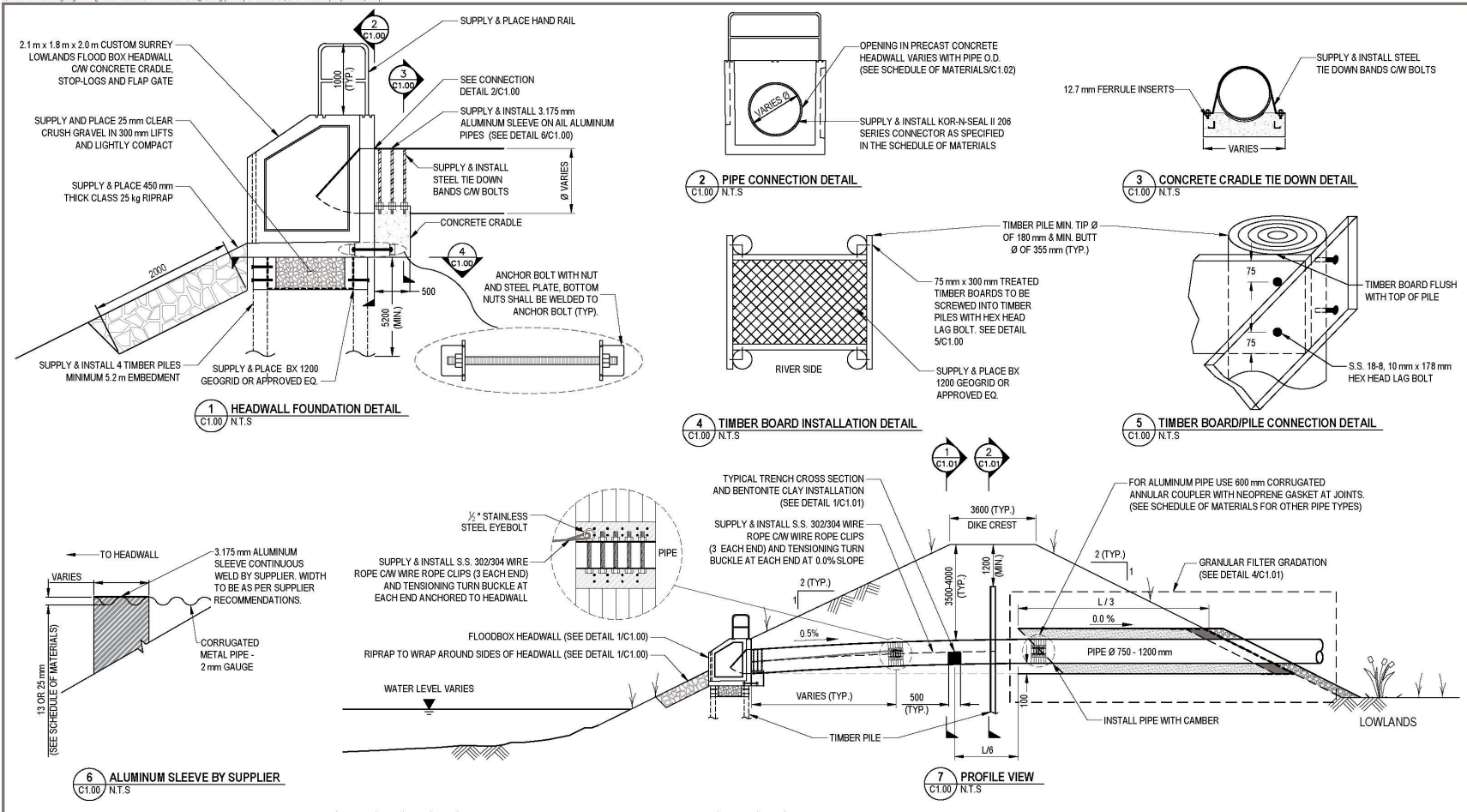
LN-5727-R (Optional)

Scale: 1:3,941

The data provided is compiled from various sources and is NOT warranted as to its accuracy or sufficiency by the City of Surrey. This information is provided for information and convenience purposes only. Lot sizes, legal descriptions and encumbrances must be confirmed at the Land Title Office. Use and distribution of this map is subject to all copyright and disclaimer notices at cosmos.surrey.ca



Map created on: 2022-11-28



NOTES:
1. ALL DIMENSIONS ARE IN MILLIMETERS UNLESS NOTED OTHERWISE.

| NUM | DATE | DWN | CHKD | APR | DESCRIPTION | NUM | DATE | APR | DESCRIPTION |
|-----|------------|-----|------|-----|-------------------|-----|------|-----|-------------|
| A | 12/20/2019 | MAK | JW | DM | ISSUED FOR REVIEW | | | | |
| | | | | | REVISIONS | | | | |
| | | | | | DESCRIPTION | | | | |
| | | | | | REVISIONS | | | | |
| | | | | | DESCRIPTION | | | | |
| | | | | | REVISIONS | | | | |
| | | | | | DESCRIPTION | | | | |

CLIENT: CITY OF SURREY
the future lives here.

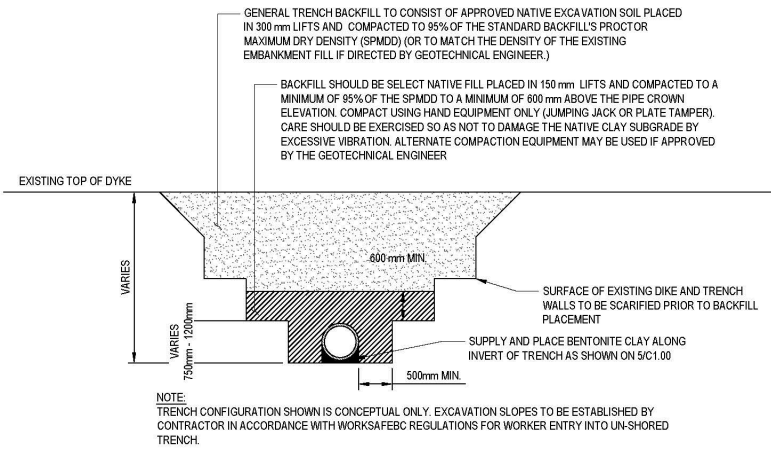
SURREY LOWLANDS FLOOD BOXES
SURREY, B.C.

FLOOD BOX INSTALLATION

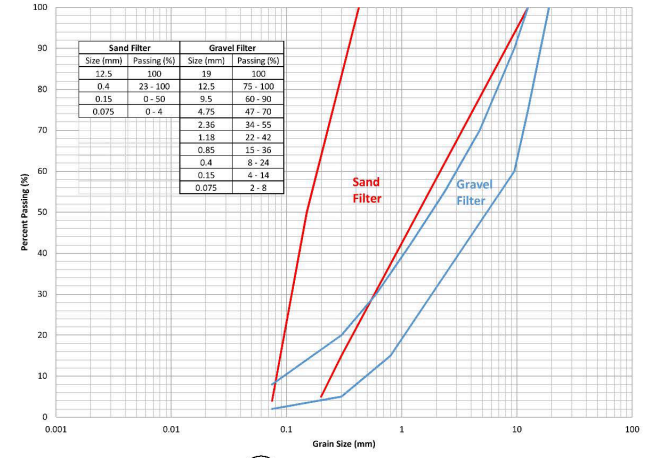
| | | | | |
|-------------------|------------|------|------|---------|
| PROJECT NO: | OFFICE: | DES: | QCD: | REV: |
| V11200362-02 | VANCO | DM | JW | A |
| DATE: | SHEET NO.: | DWN: | APP: | STATUS: |
| December 20, 2019 | 1 of 3 | MAK | DM | IFR |

TETRA TECH

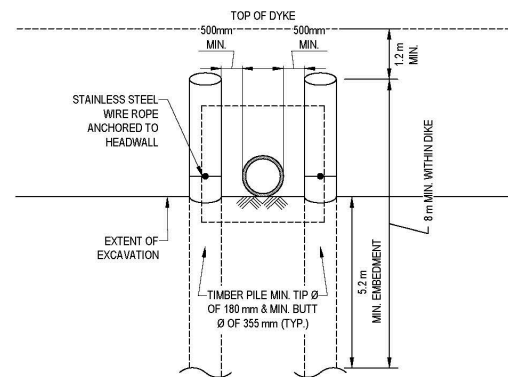
C1.00



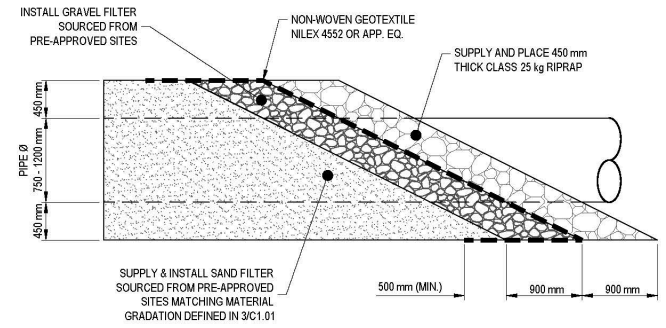
1 TYPICAL TRENCH DETAIL WITH BENTONITE INSTALLATION
C1.01 / N.T.S



2 GRANULAR FILTER GRADATION
C1.01 / N.T.S



3 ANCHOR PILE INSTALLATION DETAIL
C1.01 / N.T.S



4 GRANULAR FILL SEQUENCE
C1.01 / N.T.S

| NUM | DATE | DWN | CHK | APR | DESCRIPTION | NUM | DATE | APP | DESCRIPTION |
|-----------|------------|-----|-----|-----|-------------------|-----|------|-----|-------------|
| A | 12/20/2019 | HW | JW | DM | ISSUED FOR REVIEW | | | | |
| REVISIONS | | | | | DRAWING STATUS | | | | |

CLIENT

SURREY LOWLANDS FLOOD BOXES
SURREY, B.C.

FLOOD BOX INSTALLATION

| | | | | |
|-------------------|------------|------|------|---------|
| PROJECT NO: | OFFICE: | DES: | CHK: | REV: |
| V12203082-02 | VANC | DM | JW | A |
| DATE: | SHEET NO.: | DWN: | APP: | STATUS: |
| December 20, 2019 | 2 of 3 | HW | DM | IFR |

C1.01

PROFESSIONAL SEAL

| SCHEDULE OF MATERIALS (HEADWALL TO PIPE CONNECTION) | | | | | | | | | |
|---|--|---------|---|-----------------|---------------|------------------------|----------------------------|----------------|-----------------|
| NOMINAL SIZE (mm) | PIPE | PIPE OD | PIPE JOINT SYSTEM | KOR-N-SEAL | | | LANGLEY CONCRETE | | FONTAINE |
| | | | | CONNECTOR MODEL | PIPE OD RANGE | HEADWALL OPENING RANGE | HEADWALL SPECIFIED OPENING | HEADWALL MODEL | FLAP GATE MODEL |
| 750 | BOSS 2000 + SLEEVE | 908 | ULTRA STAB 75 | S206-40 | 905-939 | 1017-1021 | 1019 | SD-337 | 60-42-A-CW-20 |
| | ALL ALUMINUM (88x13 mm CORRUGATION) | 786 | 600 mm ANNULAR COUPLER WITH NEOPRENE GASKET | S206-34 | 753-787 | 864-868 | 866 | SD-334 | 60-36-A-CW-20 |
| | ALL ALUMINUM + SLEEVE (REF TO 8/C1.00) | 794 | 600 mm ANNULAR COUPLER WITH NEOPRENE GASKET | S206-34L | 788-803 | 864-868 | 866 | SD-334 | 60-36-A-CW-20 |
| | DURROMAXX | 785 | HIGH PERFORMANCE (HP) JOINT | S206-34 | 753-787 | 864-868 | 866 | SD-334 | 60-36-A-CW-20 |
| | DURROMAXX + SLEEVE | 798 | HIGH PERFORMANCE (HP) JOINT | S206-34L | 788-803 | 864-868 | 866 | SD-334 | 60-36-A-CW-20 |
| 900 | BOSS 2000 + SLEEVE | 1100 | ULTRA STAB 75 | S206-46L | 1093-1108 | 1169-1173 | 1171 | SD-338 | 60-48-A-CW-20 |
| | ALL ALUMINUM (88x13 mm CORRUGATION) | 938 | 600 mm ANNULAR COUPLER WITH NEOPRENE GASKET | S206-40 | 905-939 | 1017-1021 | 1019 | SD-337 | 60-42-A-CW-20 |
| | ALL ALUMINUM + SLEEVE (REF TO 8/C1.00) | 946 | 600 mm ANNULAR COUPLER WITH NEOPRENE GASKET | S206-40L | 940-955 | 1017-1021 | 1019 | SD-337 | 60-42-A-CW-20 |
| | DURROMAXX | 942 | HIGH PERFORMANCE (HP) JOINT | S206-40L | 940-955 | 1017-1021 | 1019 | SD-337 | 60-42-A-CW-20 |
| | DURROMAXX + SLEEVE | 955 | HIGH PERFORMANCE (HP) JOINT | S206-40L | 940-955 | 1017-1021 | 1019 | SD-337 | 60-42-A-CW-20 |
| 1200 | ALL ALUMINUM (76x25 mm CORRUGATION) | 1260 | 600 mm ANNULAR COUPLER WITH NEOPRENE GASKET | S206-54 | 1245-1260 | 1372-1377 | 1375 | SD-338 | 60-56-A-CW-20 |
| | ALL ALUMINUM + SLEEVE (REF TO 8/C1.00) | 1268 | 600 mm ANNULAR COUPLER WITH NEOPRENE GASKET | S206-54L | 1261-1295 | 1372-1377 | 1375 | SD-338 | 60-56-A-CW-20 |
| | DURROMAXX | 1257 | HIGH PERFORMANCE (HP) JOINT | S206-54 | 1245-1260 | 1372-1377 | 1375 | SD-338 | 60-56-A-CW-20 |
| | DURROMAXX + SLEEVE | 1270 | HIGH PERFORMANCE (HP) JOINT | S206-54L | 1261-1295 | 1372-1377 | 1375 | SD-338 | 60-56-A-CW-20 |

- FOR LANGLEY CONCRETE HEADWALL SHOP DRAWINGS REFER TO ISSUE FROM DEC 09, 2019
- "SLEEVE" REFERS TO THE SUPPLIER ADAPTER FROM HELICAL WOUND EXTERIOR TO SMOOTHED WALLED EXTERIOR TO FACILITATE ATTACHMENT TO THE KOR-N-SEAL BAND. SEE DETAIL 8/C1.00.
- MATERIAL SUPPLIERS TO PROVIDE SHOP DRAWINGS FOR APPROVAL BEFORE MANUFACTURING.
- CONTRACTOR TO CONFIRM MATERIAL DIMENSIONS IS CONSISTENT WITH SPECIFIED COUPLERS. (DIMENSIONS MAY VARY)

1. GENERAL NOTES

- CONTRACTOR TO REMOVE AND DISPOSE OFFSITE ALL EXISTING PILES, HEADWALLS AND PIPES.
- THE LOCATIONS OF EXISTING UNDERGROUND UTILITIES HAVE NOT BEEN INDEPENDENTLY VERIFIED BY THE OWNER OR ITS REPRESENTATIVE. THE CONTRACTOR SHALL DETERMINE THE EXACT LOCATION OF ALL EXISTING UTILITIES BEFORE COMMENCING WORK AND AGREES TO BE FULLY RESPONSIBLE FOR ANY AND ALL DAMAGES WHICH MIGHT OCCUR BY THE CONTRACTOR'S FAILURE TO LOCATE ANY AND ALL UNDERGROUND UTILITIES.
- CONTRACTOR TO PROVIDE A SEDIMENT & EROSION CONTROL PLAN.
- CONTRACTOR IS ENCOURAGED TO INSTALL THE FLOODBOX OUTFALL DURING LOW TIDES TO LIMIT THE AMOUNT OF EFFORT NEEDED TO DEWATER THE SITE. SUMP PUMP DEWATERING IS LIKELY REQUIRED DURING THE EXCAVATION. USE OF SHEET PILES IS RECOMMENDED TO ISOLATE THE CONSTRUCTION SITE.

2. GENERAL EXCAVATION & COMPACTION

- A MINIMUM OF 500 mm CLEARANCE IS RECOMMENDED BETWEEN THE EXCAVATION SIDE SLOPES AND THE FLOODBOX TO ALLOW FOR ACCESS, PLACEMENT AND COMPACTION OF BACKFILL.
- CONTRACTOR TO PROTECT STOCKPILES FROM RAINFALL.
- CONTRACTOR TO HAVE WALK-BEHIND COMPACTOR OR JUMPING JACK AVAILABLE ON-SITE TO COMPACT COARSE GRAINED SAND/GRAVEL FILTERS IF NECESSARY.

3. CITY OF SURREY SUPPLIED MATERIALS

- MATERIAL SUPPLIED BY THE CITY WILL BE DELIVERED TO THE CLOSEST INTERSECTION BETWEEN THE RIVER & THE CLOSEST PUBLIC ROAD. THE CONTRACTOR WILL BE RESPONSIBLE FOR TRANSPORTING THE SUPPLIED MATERIAL TO ITS FINAL DESTINATION.

4. PIPE

- INSTALLATION OF PIPES TO BE CARRIED OUT IN ACCORDANCE WITH MANUFACTURER'S SPECIFICATIONS AND RECOMMENDATIONS.
- ALL ALUMINUM PIPE TO BE SUPPLIED WITH ALUMINUM SLEEVE ON ONE PIPE SEGMENT TO CONNECT TO KOR-N-SEAL CONNECTION. SEE DETAIL 7/C1.00.

5. PRECAST HEADWALL

- HEADWALLS SUPPLIED TO BE 2.1 m x 1.8 m x 2.0 m CUSTOM SURREY LOWLANDS FLOOD BOX HEADWALL CW KOR-N-SEAL II 206 SERIES CONNECTOR, CRADLE, STOP-LOGS, AND FLAP GATE.
- HEADWALL OPENING VARIES TO SUITE SUPPLIED PIPE.
- INSTALLED FLAPGATE TO BE FONTAINE SERIES 60 FLAP GATE OR APPROVED HDPE EQUIVALENT.

6. GEOTEXTILE

- GEOTEXTILE TO BE INSTALLED WITH A MINIMUM OVERLAP OF 500 mm.


7. TIMBER PILE

- PILES TO BE INSTALLED WITHIN 2% OF VERTICAL WHILE BEING MONITORED BY A GEOTECHNICAL ENGINEER.

8. DIKE MATERIAL

- SELECT NATIVE FILL MATERIAL IS TO BE USED FOR BACKFILL.
- WHERE NATIVE MATERIAL IS UNSUITABLE FOR COMPACTION, CONTRACTOR IS TO REQUEST APPROVED IMPORT DIKE MATERIAL FROM THE CITY OF SURREY.

| NO. | DATE | BY | CHKD | APPR | DESCRIPTION | NUM | DATE | APPR | DESCRIPTION |
|---|------------|-----|------|------|-------------------|-----|------|------|-------------|
| A | 12/20/2019 | BMK | JW | DM | ISSUED FOR REVIEW | | | | |
| <p style="text-align: center;">REVISIONS</p> | | | | | | | | | |

| | | | | | | | | | |
|---|--|--|-----------|-----|-----|--------|--------------|--|--|
|  | | SURREY LOWLANDS FLOOD BOXES SURREY, B.C. | | | | | | | |
| | | FLOOD BOX INSTALLATION | | | | | | | |
|  | | PROJECT No. | OFFICE | DES | CHK | REV | C1.02 | | |
| | | V13200062-02 | VANC | DM | JW | A | | | |
| | | DATE: | SHEET No. | OWN | APP | STATUS | | | |
| | | December 20, 2019 | 3 of 3 | BMK | DM | IFR | | | |

**SCHEDULE B
APPENDICES 3 THROUGH 7**

Information from Schedule C of the RFQ will be inserted at the time of the award of the Contract:

- Appendix 3 Schedule of Quantities and Prices
- Appendix 4 Construction Schedule
- Appendix 5 Key Personnel, Sub-Contractors, and Material Suppliers

The following forms to be included at the time of the award of the contract:

- Appendix 6 Prime Contractor Designation
- Appendix 7 Contractor Health & Safety Expectations (Responsibility of Contractor(s))



SCHEDULE C – FORM OF QUOTATION

RFQ Title: 2023 Flood Box Replacement

RFQ No: 1220-040-2023-001

CONTRACTOR

Legal Name of Contractor: _____

Contact Person and Title: _____

Business Address: _____

Business Telephone: _____

Business Fax: _____

Business E-Mail Address: _____

TO:

CITY OF SURREY

City Representative: Sunny Kaila, Manager, Procurement Services

Email for PDF Files: purchasing@surrey.ca

1. If this Quotation is accepted by the City, a contract will be created as described in:
 - (a) the Contract;
 - (b) the RFQ; and
 - (c) other terms, if any, that are agreed to by the parties in writing.
2. Capitalized terms used and not defined in this Quotation will have the meanings given to them in the Contract and RFQ. Except as specifically modified by this Quotation, all terms, conditions, representations, warranties and covenants as set out in the Contract and RFQ will remain in full force and effect.
3. I/We have reviewed the sample Contract (Schedule B). If requested by the City, I/we would be prepared to enter into the sample Contract, amended by the following departures (list, if any):

Section

Requested Departure(s) / Alternative(s)

4. The City requires that the successful Contractor have the following in place **before providing the Work**:

- (a) Workers' Compensation Board coverage in good standing and further, if an "Owner Operator" is involved, personal operator protection (P.O.P.) will be provided,
Workers' Compensation Registration Number _____;
- (b) Prime Contractor qualified coordinator is Name: _____
and Contact Number: _____;
- (c) Insurance coverage for the amounts required in the proposed Contract as a minimum, naming the City as additional insured and generally in compliance with the City's sample insurance certificate form available on the City's Website at www.surrey.ca. search [Standard Certificate of Insurance](#);
- (d) City of Surrey or Intermunicipal Business License: Number _____;
- (e) If the Contractor's goods and services are subject to GST, the Contractor's GST Number is _____; and
- (f) If the Contractor is a company, the company name indicated above is registered with the Registrar of Companies in the Province of British Columbia, Canada, Incorporation Number _____.

As of the date of this Quotation, we advise that we have the ability to meet all of the above requirements **except as follows** (list, if any):

| Section | Requested Departure(s) / Alternative(s) |
|---------|---|
| | |
| | |

5. The Contractor acknowledges that the departures it has requested in Sections 3 and 4 of this Quotation will not form part of the Contract unless and until the City agrees to them in writing by initialing or otherwise specifically consenting in writing to be bound by any of them.

Changes and Additions to Specifications and Scope:

6. In addition to the warranties provided in the Contract, this Quotation includes the

7. I/We have reviewed the RFQ, Schedule A – Scope of Work and Contract Drawings. If requested by the City, I/we would be prepared to meet those requirements, amended by the following departures and additions (list, if any):

Requested Departure(s) / Alternative(s) / Addition(s)

SCHEDULE OF QUANTITIES AND PRICES

8. The Contractor offers to supply to the City of Surrey the Goods and Services for the prices plus applicable taxes as follows:

| F.O.B. Destination | | Payment Terms: A cash discount of ___% will be allowed if invoices are paid within ___ days, or the ___ day of the month following, or net 30 days, on a best effort basis. | | | | Ship Via: | |
|---|----------------------|--|-----|----------|-------------------------------|-----------|----|
| Item | Description | Unit | Qty | Pipe Dia | Unit Price | Amount | |
| 1 | US-16950-R | L.S. | 1 | 1200mm | | \$ | |
| 2 | US-17230-R | L.S. | 1 | 900mm | | \$ | |
| 3 | US-15542-R | L.S. | 1 | 900mm | | \$ | |
| 4 | MS-12942-L | L.S. | 1 | 900mm | | \$ | |
| 5 | LN-5727-R (Optional) | L.S. | 1 | 900mm | | \$ | |
| <p>Note: Overheads, General Conditions and Profit are to be included in the above amounts.</p> <p>CURRENCY: CANADIAN</p> | | | | | Subtotal: | | \$ |
| | | | | | GST (5%): | | \$ |
| | | | | | TOTAL QUOTATION PRICE: | | \$ |

List of Optional Prices:

9. The following is a list of Optional Price(s) to the Work and forms part of this RFQ, upon the acceptance of any or all of the Optional Price(s). The Optional Prices are an addition or a deduction to the Total Quotation Price and do not include GST. DO NOT state a revised Total Quotation Price.

| Description of Optional Prices | Addition | Deduction |
|--------------------------------|-------------------|-------------------|
| OP-1. | \$ [] | \$ [] |
| OP-2. | \$ [] | \$ [] |

Force Account Labour and Equipment Rates:

10. Contractors should complete the following tables setting out the all-inclusive hourly labour rates including Overhead and profit for approved extras/credits for all applicable categories of labour (use the spaces provided and/or attach additional pages, if necessary):

Table 1 – Hourly Labour Rate Schedule for Services:

| Labour Category | Straight Time/hr (Plus GST) | Overtime Rate/hr (Plus GST) |
|---------------------|--------------------------------|--------------------------------|
| .1 Superintendent | \$ | \$ |
| .2 Foreman | \$ | \$ |
| .3 Journeyman | \$ | \$ |
| .4 Apprentice | \$ | \$ |
| .5 Skilled Labourer | \$ | \$ |
| .5 | \$ | \$ |
| .6 | \$ | \$ |

Table 2 – Hourly Equipment Rate Schedule:

| No. | Equipment Description | Hourly Equipment Rate |
|-----|-----------------------|-----------------------|
| | | \$ |
| | | \$ |
| | | |
| | | |
| | | |

Preliminary Construction Schedule:

11. Contractors should provide a preliminary construction schedule, with major item descriptions and time:
- (a) Commence the Work on or before: _____; and
- (b) to achieve Substantial Performance of the Work on or before: _____ (WORK DURATION).

Contractor should provide a Microsoft Project (or similar) schedule outlining the Critical Path and should include all major phases of the Work and indicate start and substantial completion dates for each.

| ACTIVITY | Time from Notice to Proceed in Days | | | | | | | | | |
|----------|-------------------------------------|----|----|----|----|----|----|----|----|-----|
| | 10 | 20 | 30 | 40 | 50 | 60 | 70 | 80 | 90 | 100 |
| | | | | | | | | | | |

| | | | | | | | | | |
|---------------|--|--|--|--|--|--|--|--|--|
| SAMPLE | | | | | | | | | |
| | | | | | | | | | |

Proposed Disposal Site: _____

Key Personnel & Subcontractors:

12. Contractors should provide information on the background and experience of all key personnel proposed for the performance of the Work (use the spaces provided and/or attach additional pages, if necessary):

Name: _____

Experience: _____

Dates: _____

Project Name: _____

Responsibility: _____

Responsibility: _____

13. Contractors should identify subcontractors, if any, the Contractor intends to use for the performance of the Work, describe the portion of the Work proposed to be subcontracted and a description of the relevant experience of the subcontractor, using a format similar to the following:

| <i>Subcontractor Services</i> | <i>Subcontractor Name</i> | <i>Years of Working with Contractor</i> | <i>Business Telephone Number and Business Email Address</i> |
|-------------------------------|---------------------------|---|---|
| | | | |
| | | | |

The City reserves the right of approval for each of the subcontractors and material suppliers. The Contractor will be given the opportunity to substitute an acceptable subcontractor and material supplier, if necessary.

Experience, Reputation and Resources

14. Contractors should provide information on their relevant experience and qualifications for the performance of the Work similar to those required by the Contract (use the spaces provided and/or attach additional pages, if necessary):

15. Contractors should provide references for work performed by your firm of a similar nature and value (name and telephone number). The City's preference is to have a

minimum of three references. Previous clients of the Contractor may be contacted at the City's discretion (use the spaces provided and/or attach additional pages, if necessary)

16. I/We the undersigned duly authorized representatives of the Contractor, having received and carefully reviewed the RFQ and the Contract, submit this Quotation in response to the RFQ.

This Quotation is executed by the Contractor this _____ day of _____, 202__.

CONTRACTOR

I/We have the authority to bind the Contractor.

(Legal Name of Contractor)

(Signature of Authorized Signatory)

(Signature of Authorized Signatory)

(Print Name and Position of Authorized Signatory)

(Print Name and Position of Authorized Signatory)

ATTACHMENT 1 - CITY OF SURREY, PROJECT COMPLETION DELIVERABLES WORKSHEET

Project Name: _____

Project Address: _____

Date: _____

End of Project Walk-through: _____

End of Project Walk-through: _____

City Representative: _____

Contractor/Contractor Rep: _____

Department: _____

Company Name: _____

Contact phone number: _____

Contact phone number: _____

Fax number: _____

Fax number: _____

A. BUILDING PERMITS – CLOSED OUT

- Architectural
- Electrical
- Mechanical / Plumbing
- Structural
- Other

B. O&M MANUALS RECEIVED

**Shop Drawings to be included in O&M Manuals*

Architectural

- 1 Electronic (PDF) file
- 2 Hardcopies

Electrical

- 1 Electronic (PDF) file
- 2 Hardcopies

Mechanical

- 1 Electronic (PDF) file
- 2 Hardcopies

Other(s)

- 1 Electronic (PDF) file
- 2 Hardcopies

C. PROJECT CLOSE-OUT

- Project Summary Report
- Substantial Completions
- Deficiencies List
- Transfer of Utilities (Hydro/Teresan)
Notify City of Surrey (604-591-4804)
- Asset Inventory Forms including HVAC
- TCA Cost Summary Finance, & Warranty
Information sheets & Project summary
with graphics
- Final Occupancy Certification
- All documentation/correspondence
pertaining to the project (File Share Device)

D. FALL PROTECTION / RESTRAINT SYSTEM

- Complete
- Wall plaques displayed as required
- 1 (PDF) containing the Fall Protection Safety

E. AS-BUILT DRAWING SUBMITTALS

Architectural

- 1 Set of AutoCAD As-Built DWG files
- 1 Set of PDF As-Built drawings
- 1 Set of paper construction drawings

Civil

- 1 Set of AutoCAD As-Built DWG files
- 1 Set of PDF As-Built drawings
- 1 Set of paper construction drawings

Electrical

- 1 Set of AutoCAD As-Built DWG files
- 1 Set of PDF As-Built drawings
- 1 Set of paper construction drawings

Fire Protection

- 1 Set of AutoCAD As-Built DWG files
- 1 Set of PDF As-Built drawings
- 1 Set of paper construction drawings

Landscaping

- 1 Set of AutoCAD As-Built DWG files
- 1 Set of PDF As-Built drawings
- 1 Set of paper construction drawings

Mechanical / Plumbing

- 1 Set of AutoCAD As-Built DWG files
- 1 Set of PDF As-Built drawings
- 1 Set of paper construction drawings

Structural

- 1 Set of AutoCAD As-Built DWG files
- 1 Set of PDF As-Built drawings
- 1 Set of paper construction drawings

Other:

- 1 Set of AutoCAD As-Built DWG files
- 1 Set of PDF As-Built drawings
- 1 Set of paper construction drawings

F. FIRE SAFETY PLAN

- Complete
- Wall plaques displayed throughout facility
- 1 Electronic (PDF) file of the fire safety plan
- 2 paper copies of the fire safety plan

System _____

Signed:

City Representative

Contractor Representative

Internal Representative

Fire Chief/ Representative

ATTACHMENT 2

PRIME CONTRACTOR DESIGNATION
LETTER OF UNDERSTANDING

As per the requirements of the *Workers' Compensation Act*, R.S.B.C. 2019, Chapter 1, Part 2, Division 4, Section 24 and 25 which states:

Coordination of multiple-employer workplaces

24 *In this section:*

"multiple-employer workplace" means a workplace where workers of 2 or more employers are working at the same time:

"prime contractor" means, in relation to a multiple-employer workplace,

- (1) The prime contractor of a multiple-employer workplace must
 - (a) ensure that the activities of employers, workers and other persons at the workplace relating to occupational health and safety are coordinated, and
 - (b) do everything that is reasonably practicable to establish and maintain a system or process that will ensure compliance with this Part and the regulation in respect to the workplace.
- (2) Each employer of workers at a multiple-employer workplace must give to the prime contractor the name of the person the employer has designated to supervise the employer's workers at that workplace.

By signing this Agreement, the Contractor accepts all responsibilities of a prime contractor as outlined in the *Workers' Compensation Act*, and WorkSafeBC OH&S Regulation.

As a Contractor signing this Prime Contractor Designation form with the City of Surrey (the "owner"), you are agreeing that your company, management staff, supervisory staff and workers will comply with the *Workers' Compensation Board (WCB) Occupational Health and Safety Regulation* and the *Workers' Compensation (WC) Act*.

Any WorkSafeBC OH&S violation by the prime contractor may be considered a breach of contract resulting in possible termination or suspension of the agreement and/or any other actions deemed appropriate at the discretion of the City.

Any penalties, sanctions or additional costs levied against the City, as a result of the actions of the prime contractor are the responsibility of the prime contractor.

The Contractor acknowledges having read and understood the information above.

By signing this Prime Contractor Designation form, the Contractor agrees as a representative of the firm noted below, to accept all responsibilities of the prime contractor for this project.

The Contractor understands and accepts the responsibilities of the prime contractor designation in accordance with the *Workers' Compensation Act* while contracted by the City of Surrey for project and will abide by all *Workers' Compensation Board Regulation* requirements.

Project File No.: 1220-040-2023-001

Project Title and Site Location: 2023 Flood Box Replacement

Prime Contractor Name: _____

Prime Contractor Address: _____

Business Telephone/Business Fax Numbers: Phone: _____ Fax: _____

Name of Person in Charge of Project: _____

Name of Person Responsible for Coordinating Health & Safety Activities: _____

Phone: _____

Prime Contractor Signature: _____ Date: _____

Please return a signed copy of this memo to the City of Surrey, Finance Department, Procurement Services Section, 13450 – 104 Avenue, Surrey, British Columbia, V3T 1V8

If you have any questions, please contact the City of Surrey, Manager Occupational Health & Safety at 604-591-4658.

RDO REVISION – August 2021

ATTACHMENT 3

CONTRACTOR HEALTH & SAFETY EXPECTATIONS

RESPONSIBILITY OF CONTRACTOR(S)

The City of Surrey strives to maintain a safe work environment for employees and contractors and insists upon the enforcement of safe practices and procedures in all premises and in all work activities. It is essential that all contractors and their employees and sub-contractor(s) perform in the same manner. It is every employers and contractors responsibility to ensure that staff and public are protected from workplace hazards.

As a contractor to the City of Surrey, you are expected to conform to the requirements of the Workers' Compensation Act, the WCB Occupational Health and Safety Regulation and to all federal, provincial and local laws and regulations. The City of Surrey Building Owner, Project Manager, and the Manager, Occupational Health & Safety or designate have the authority to order an unsafe act to cease or to have an unsafe piece of equipment removed from the premises or, in extreme situations, to shut down a job entirely. Any City of Surrey Employee that observes a safety infraction by a contractor performing work for the City of Surrey should bring it to the attention of a manager immediately or Occupational Health & Safety (604-591-4131).

The following information is provided as typical City of Surrey requirements, but does not relieve the contractor from complying with all applicable local, provincial and federal laws, regulations and bylaws.

PERSONNEL

1. You are expected to inform your employees of any potential hazard in the workplace and advise of appropriate action to be taken should a hazard be found or a fire or accident occur.
2. Contractors will restrict persons invited on the premises to employees only. No families or friends are permitted.
3. The contractor will advise the City of any on-site accidents involving the contractor's employees, or injuries to others caused by the contractor's business.

SAFETY MANAGEMENT SYSTEM

1. Contractors will ensure their employees utilize proper safety equipment and clothing as required for job site activities.
2. Contractors must follow and have on site proper written safe work procedures for hazardous work, e.g. Fall protection, confined space entry, hotwork, lockout, excavations and shoring, traffic management, etc.
3. Contractor must Identify workplace risk and implement suitable controls.
4. Contractor must provide safety training and education to staff and have training records available for review.
5. Contractor must have a health & safety program for its workers and sub-contractors
6. Contractor will provide appropriate First-Aid coverage for their workers and subcontractors.
7. Contractor must forward a weekly work task list prior to work commencement.
8. The qualified safety coordinator must participate in the City of Surrey OHS Orientation or attend the Prime Contractor's Orientation.

WORK AREAS – City Facilities

No work by contractors shall occur in any area without prior consent of the City of Surrey Manager, Civic Facilities or his designated representative. Work during normal business hours of the City shall not create undue noise, smells or otherwise unduly disturb the work of City of Surrey staff or the public. If an activity requires that a disturbance is likely, the contractor shall whenever possible only do that work outside normal business hours.

All activities that create a hazard (i.e. work from a ladder, removal of a floor tile, emission of VOC's, etc.) to persons outside the contractor's supervision shall have warning devices, delineation or barriers, sealed spaces, etc. as would normally be required to protect any person from that hazard.

SAFETY ATTITUDE

Your safety record and attitude are important criteria used to judge your qualification for future bidding on solicitations with the City of Surrey.

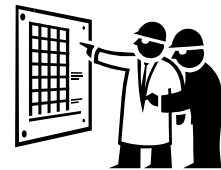
You can help ensure employee safety and your eligibility for future business with the City if you exhibit and practice a "Safe Work - Safe City" attitude.

The City of Surrey is concerned about the health, safety and wellbeing of all employees and contractors. It is essential we maintain a healthy, safe and productive work environment.

All Employees & Contractors:

It is everyone responsibility to:

- ❖ know and comply with WCB regulations and
- ❖ follow established safe work procedures
- ❖ immediately report any work related injury to his/her supervisor; and to the city representative
- ❖ not remain on the work site while his/her ability to work is in any way impaired
- ❖ report unsafe acts and conditions to their supervisor
- ❖ correct unsafe conditions immediately whenever it is possible to do so
- ❖ take reasonable care to protect your health & safety and the health and safety of other persons who may be affected by your act's or omissions at work



An employee must refuse to work if continuing to do so would endanger the health and safety of the employee, fellow employees or others. The worker must immediately report the circumstances of the unsafe condition to his or her supervisor or manager. If the unsafe condition is not remedied or the issue is not resolved the Manager, Occupational Health & Safety must be contacted.

GENERAL RULES

1. For all secured worksites, contracted workers are required to sign in and sign out each day
2. (Access cards may be issued – a worker may need to provide an Identification document (i.e. Driver's License) in exchange).
3. Personal protective equipment, as determined by the City, through consultation with the Contractors Health and Safety Representatives must be worn when and where required. (Hard Hats, Safety Footwear, Safety Vests and Safety Glasses must be worn on active construction sites. Hearing Protection must be worn when noise levels are above 85dBA.)
4. Horseplay, gambling and the use of alcohol or narcotics will not be tolerated.
5. No Smoking within 7.5M of a City owned buildings door exits, windows and vents.
6. Report **ALL** injuries to your supervisor immediately and notify the City's site representative.
7. Report any unsafe conditions, including someone under the influence or hazards, which may allow an injury to occur to you, a fellow worker, or others on the worksite.
8. Report any property damage, regardless of how minor.
9. Restricted and controlled products will be labeled, used and stored in accordance with the associated regulations, e.g. WHMIS. Follow all procedural instructions when using or handling hazardous materials/controlled products and ensure that all containers of hazardous/controlled product materials are properly labelled and stored in designated areas.
10. Obey all posted signs and notices. Do not venture into areas that you are not authorized to enter.
11. Always use the correct posture when lifting and get assistance if the weight is excessive.
12. Do not work within the limits of approach to high voltage equipment.
13. If working at heights greater than 10 feet a Fall Protection system must be in place. The appropriate Fall Protection equipment must be worn at all times.
14. **Housekeeping** (Orderliness and good housekeeping are basic requirements and must be maintained at all times):
 - a) Aisles are to be kept clear at all times.
 - b) Individual work areas are to be kept clean and tidy.
 - c) All materials, tools, products and equipment are to be kept in their designated areas.
 - d) Liquid spills are to be cleaned up immediately to prevent slips and falls.
 - e) Accumulation of oily rags, combustible refuse or similar fire hazards will not be tolerated.

A common sense approach usually resolves the issue.

15. Fire Prevention:

- a) Become familiar with Surroundings and emergency exit.
- b) Ensure aisles and exits are not blocked at any time.
- c) Anytime a fire extinguisher is used, report it immediately to your supervisor, so that it can be recharged.

16. Equipment Operation (Any equipment, which could create a hazard, must be maintained in good condition):

- a) Equipment must not be repaired, adjusted or operated unless by a "competent person" who understand the safe operating procedures.
- b) Always be aware of the use and location of the "EMERGENCY STOP" button, if equipment is so equipped, before using the equipment.
- c) Loose clothing, jewelry and long hair must be secured to prevent becoming entangled with equipment.
- d) The Operator must check all safety devices on equipment before operation.
- e) All equipment must be turned off and the appropriate "lock-out" procedure followed, prior to repairs, cleaning, adjustment or lubrication.
- f) Radio/Walkman/I-pod Head phones are not allowed to be worn during regular work operations.
- g) All ladders must be of an approved type and length. Unacceptable ladders must be removed immediately from the premises.
- h) All vehicles and equipment on City property must be kept in safe mechanical condition at all times, and be operated only by persons with a valid driver's license and/or proper training and qualifications.
- i) Contractors will not operate any equipment, valves, switches, etc., which are part of the City's operation, unless specific permission is received from the Department Representative.

17. **Ground Disturbance** –Every time you dig in the ground, with a shovel or mechanized equipment, you run the risk of loss of life or damage to property if you hit any of the many buried cables, conduits, gas or oil pipelines and/or other underground facilities that serve our city, **BC One Call Must be called and a ticket obtained prior to commencing any ground disturbance activities.**

| | |
|---------------------|---|
| Issued By: | Occupational Health & Safety Section - Contractor Coordination Program |
| Date: | Revised: January 14, 2014 Original: August 15, 2014 |
| Distributed: | Via Email & Posted on Intranet: January 16, 2015 :<u>August 15, 2014</u> |

This document does not replace the Workers' Compensation Act or WorkSafeBC OH&S regulation. Each individual Contractor must have specific health and safety safe work rules and procedures that apply to their work tasks. Each Contractor must comply with the Workers' Compensation Act and WorkSafeBC Occupational Health & Safety Regulation and to all federal, provincial and local laws and regulations. If a contractor is unable to comply they must bring this to the attention of their qualified safety representative and to the Prime Contractor safety representative immediately.

Authorized Signature: _____

Name: _____

(Please Print)

Date: _____



ATTACHMENT 4 – COMPLIANCE TO SAFETY PROCEDURE ENTRY PROCEDURE FOR CONFINED SPACE

This procedure shall be used as a guideline only. The Contractor shall be responsible for familiarization with this and all WCB requirements.

- THERE MUST BE A MINIMUM OF TWO MEN
 - ONE MAN ALWAYS ON THE SURFACE, AND
 - ONE MAN IN THE WELL
 - MAN LIFT/RETRIEVAL DEVICES MUST BE USED
1. a) Open manhole lids, turn on blower/fan to ventilate wet well for approximately two to three minutes.
b) Leave fan running until job is completed.
c) Manhole must be circulated by a blower fan to allow fresh air into the confined space. Check levels on gas detector by lowering into well. If levels are not safe, portable fans MUST be used.
 2. Turn gas detector "ON":
 - Oxygen levels should read between 20.0 to 21.0
 - H2S levels should read 000
 - LEL levels should read 000

NOTE: - Readings shall be taken before entering well.
 - Record gas levels on "Confined Entry Space" forms and hand in daily.
 3. a) Lower gas detector by rope/cord into lower portion of wet well where work shall be performed.
b) Pull detector to surface and check gas levels. If levels are safe, entry into well is permitted.
 4. Gas detector MUST be left "ON" and brought down into well with person(s) entering.
 5. Check levels on gas detector when in well. Proceed with washing/repairing of station.
 6. If at any time the gas detector goes "OFF" (ringing), EXIT WET WELL IMMEDIATELY and check levels.

Where work is to be carried out, in any confined space where harmful atmosphere may develop, the following procedures must be followed:

- a) The space must be ventilated continuously.
- b) Gas detection equipment must be calibrated in an atmosphere that is known to be safe.

Tests for harmful or explosive substances and oxygen deficiency shall be made and recorded immediately prior to entry, after any interruptions in the work procedure and at intervals to ensure the continuing safety of the worker in the confined space.

If a harmful atmosphere develops, the worker will immediately evacuate the space and will not re-enter until it has been tested and found to be safe to do so.

- c) A safety belt or harness of a type which will keep the worker in a position to permit rescue, will be worn.
- d) A life line will be attached to the belt or harness which is tended at all times by another person stationed outside the entrance to the confined space, who shall be equipped for and capable of effecting rescue.

I, the undersigned, acknowledge having read and understand the information above.

By signing this Agreement, I/We agree as a representative of the firm noted below, to accept all responsibilities and compliant to all the Workers' Compensation Board regulation requirements.

Project File No.: 1220-040-2023-001 Company: _____

Project Title: 2023 Flood Box Replacement

Signed: _____ Date: _____
(Company Owner)

Witness: _____ Date: _____

